



120x120x25mm
4.72"x4.72"x1.00"

GENERAL SPECIFICATIONS

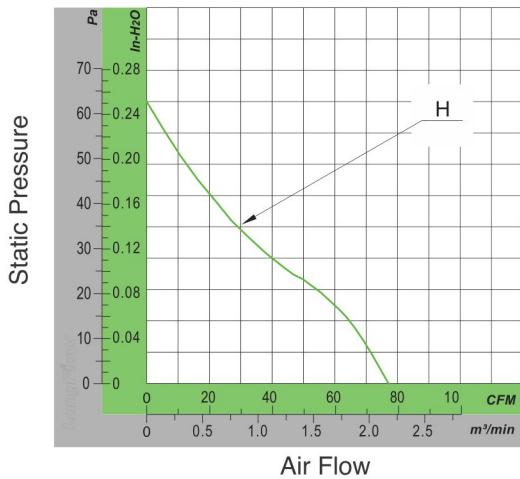
Motor Structure: EC (Electronically Commutated) Motor or Efficient DC Motor with Integrated AC to DC Converter
 Motor Protection: Auto-Restart | Soft-Start (Optional)
 Dielectric Strength: 50/60Hz 1500VAC 1min Between Input Terminal and Frame
 Allowable Ambient Temperature Range: -20°C ~ +70°C (Operating) -40°C ~ +70°C (Storage) (non-condensing environment)
 Safety Standard: UL | TUV | ROHS | CE (Optional)
 Customized Fan Features: FG | RD | IP54 | PWM (Optional)

MATERIAL

Frame : Aluminum Alloy
 Impeller : Plastic (UL94V-0)
 Bearing & Expected Life: Ball Bearing 70,000hrs (40°C)
 Lead Wire : UL1007AWG#24 300mm or Terminal

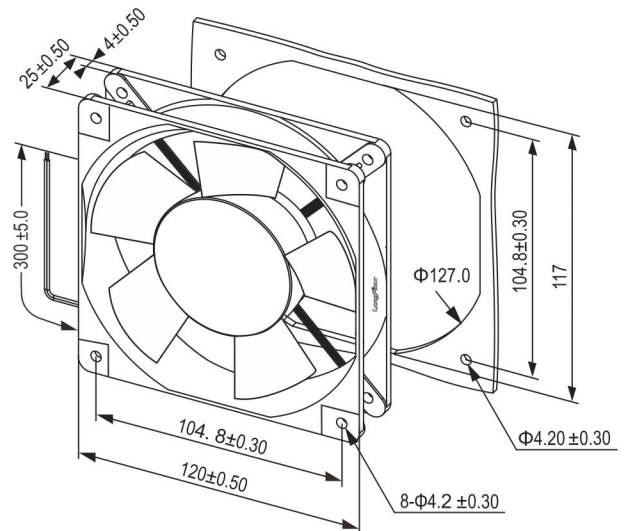


PERFORMANCE CURVES



OUTLINE DRAWING

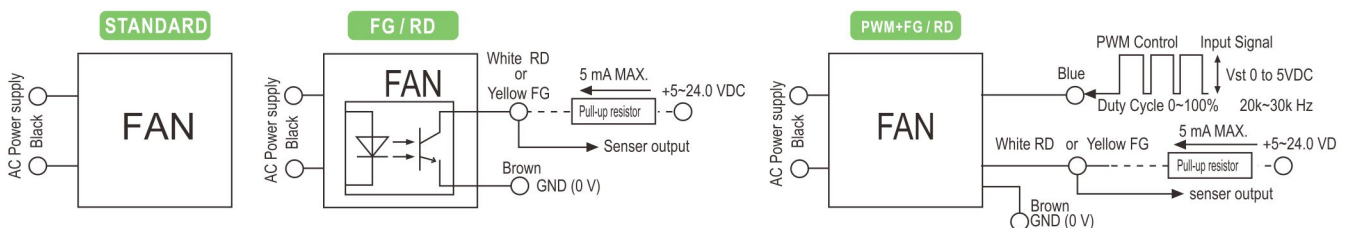
unit: mm



MODEL SPECIFICATIONS

Model	Rated Voltage	Freq.	Rated Current	Input Power	Speed	Max. Air Flow		Max. Air Pressure			Noise Level	Weight
	(V)	(Hz)	(A)	(W)	RPM	CFM	M ³ /MIN	mm H ₂ O	in H ₂ O	Pa	dBA	(G)
LFE1225AB12H	110~240	50/60	0.06	6.0	3200	75.5	2.14	6.35	0.25	62	38	210

WIRING DIAGRAM



*Important Note: All specifications and descriptions are for reference only and may be subject to change without prior notice. Please contact us for any update or further information at marketing@ventilation-fan.com
 Copyright © 2009-2017 LONGFLOW All Rights Reserved.