



EC & DC & AC FANS
CATALOGUE

MODEL NUMBERING SYSTEM

LF **D** **1238** **NS** **12** **H**

- U** : Ultra High Speed
- D** : Super HighSpeed
- H** : High Speed
- M** : Middle Speed
- L** : Low Speed

D / G / B / F Series

Input Voltage

- Blank **1** : 12V
- 2** : 24V
- 4** : 48V
- 5** : 5V
- 6** : 60V

E / A Series

Input Voltage

- 12** : 110-240VAC
- 11** : 110-120VAC
- 23** : 220-240VAC

- XS**: SLEEVE BEARING
- XB**: BALL BEARING
- X can be N referring to normal blades or P referring to high pressure type or A referring to Aluminum type

- D**: DC Axial Fan
- G**: DC Double Impeller Fan
- B**: DC Blower
- F**: AC Centrifugal Fan
- A**: AC Axial Fan
- E**: EC Axial Fan

LF: LONGFLOW

Framme Size(LxWxH)

- 2010: 20x20x10mm
- 2510: 25x25x10mm
- 3010: 30x30x10mm
- 3510: 35x35x10mm
- 4010: 40x40x10mm
- 4015: 40x40x15mm
- 4020: 40x40x20mm
- 5010: 50x50x10mm
- 5015: 50x50x15mm
- 5020: 50x50x20mm
- 5025: 50x50x25mm
- 6010: 60x60x10mm
- 6010: Φ60x10mm
- 6015: 60x60x15mm
- 6020: 60x60x20mm
- 6025: 60x60x25mm
- 7015: 70x70x15mm
- 7025: 70x70x25mm

- 8015: 80x80x15mm
- 8020: 80x80x20mm
- 8025: 80x80x25mm
- 9225: 92x92x25mm
- 9228: 92x92x28mm
- 1225: 120x120x25mm
- 1238: 120x120x38mm
- 1438: 140x140x38mm
- 1551: 150x150x51mm
- 1738: 172x150x38mm
- 1751: 172x150x51mm
- 1725: Φ172x51mm
- 2060: 200x200x60mm
- 2072: 205x205x72mm
- 2260: Φ220x60mm
- 2280: 225x225x80mm
- 2589: Φ254x89mm
- 2880: 280x280x80mm

D

G

B

E

E

A

- 4020: 40x40x20mm
- 4028: 40x40x28mm
- 6038: 60x60x38mm
- 8038: 80x80x38mm
- 9238: 92x92x38mm
- 1238: 120x120x38mm
- 1438: 140x140x38mm

- 4015: 40x40x15mm
- 5015: 50x50x15mm
- 5020: 50x50x20mm
- 6015: 60x60x15mm
- 6020: 60x60x20mm
- 6028: 60x60x28mm
- 7515: 75x70x15mm
- 7530: 75x75x30mm
- 8030: 80x80x30mm
- 9330: 93x93x30mm
- 9733: 97x94x33mm
- 1033: 100x100x33mm
- 1232: 120x120x32mm
- 1340: 135x140x40mm

- 6025: 60x60x25mm
- 7025: 70x70x25mm
- 8025: 80x80x25mm
- 8038: 80x80x38mm
- 9225: 92x92x25mm
- 9238: 92x92x38mm
- 1225: 120x120x25mm
- 1238: 120x120x38mm
- 1551: 150x150x51mm
- 1751: 172x150x51mm
- 1725: Φ172x51mm
- 2060: 200x200x60mm
- 2072: 205x205x72mm
- 2260: Φ220x60mm
- 2280: 225x225x80mm
- 2589: Φ254x89mm
- 2880: 280x280x80mm

- 0225: Φ225x89mm
- 0250: Φ250x86mm

- 6030: 60x60x30mm
- 8025: 80x80x25mm
- 8038: 80x80x38mm
- 9225: 92x92x25mm
- 9238: 92x92x38mm
- 1125: 110x110x25mm
- 1225: 120x120x25mm
- 1238: 120x120x38mm
- 1338: 135x135x38mm
- 1551: 150x150x51mm
- 1725: Φ172x51mm
- 1738: 172x150x38mm
- 1751: 172x150x51mm
- 1860: 180x180x60mm
- 2060: 200x200x60mm
- 2260: Φ220x60mm
- 2589: Φ254x89mm

Notes:

*Parts showing above are standard designs.

*OEM & ODM projects welcomed.

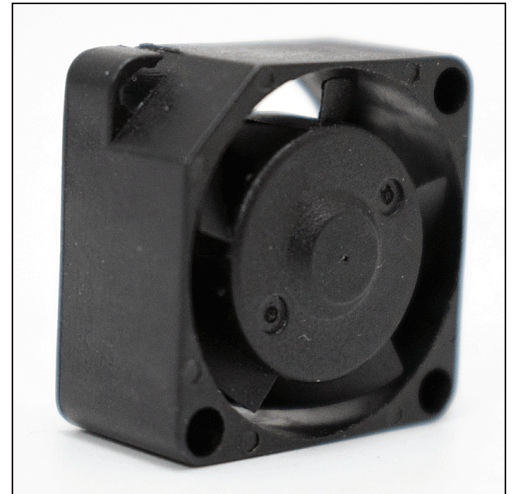
20x20x10mm
0.80"x0.80"x0.40"

GENERAL SPECIFICATIONS

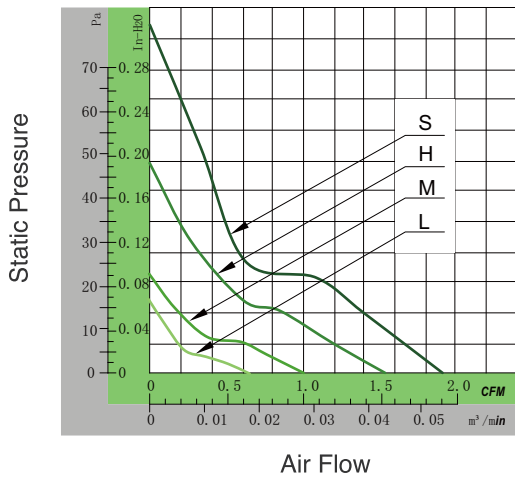
Motor Structure: Brushless DC Motor
 Motor Protection: Auto-Restart | Polarity Protection(Optional)
 Allowable Ambient Temperature Range:
 -10°C ~ +70°C (Operating)
 -40°C ~ +70°C (Storage)
 (non-condensing environment)
 Safety Standard: UL | TUV | ROHS | CE (Optional)
 Customized Fan Features: FG | RD | IP56 (Optional)

MATERIAL

Frame : Plastic (UL94V-0)
 Impeller : Plastic (UL94V-0)
 Bearing&Expected Life:
 Sleeve Bearing 30,000hrs (40°C)
 Lead Wire : UL1571AWG#28 or Equivalent (+) Red, (-) Black

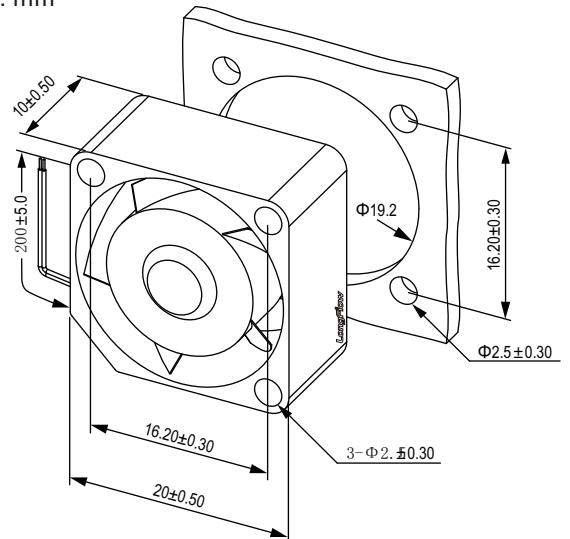


PERFORMANCE CURVES



OUTLINE DRAWING

unit: mm



MODEL SPECIFICATIONS

Model	Rated Voltage	Operating Voltage	Input Current	Input Power	Speed	Max. Air Flow		Max. Air Pressure			Noise Level	Weight
	(V)	(V)	(A)	(W)	RPM	CFM	M ³ /MIN	mm H ₂ O	in H ₂ O	Pa	dBA	(G)
LFD2010NS05U	5	3.5-5.5	0.20	1.00	20000	1.84	0.05	8.12	0.32	80	30.0	5.0
LFD2010NS05H	5	3.5-5.5	0.13	0.65	15000	1.52	0.04	4.82	0.19	47	27.0	5.0
LFD2010NS05M	5	3.5-5.5	0.10	0.50	10000	1.00	0.03	2.28	0.09	22	22.0	5.0
LFD2010NS05L	5	3.5-5.5	0.07	0.35	8000	0.66	0.02	1.52	0.06	15	21.0	5.0
LFD2010NS12U	12	7.0-13.8	0.07	1.00	20000	1.84	0.05	8.12	0.32	80	30.0	5.0
LFD2010NS12H	12	7.0-13.8	0.05	0.65	15000	1.52	0.04	4.82	0.19	47	27.0	5.0
LFD2010NS12M	12	7.0-13.8	0.03	0.50	10000	1.00	0.03	2.28	0.09	22	22.0	5.0

25x25x10mm
1.00"x1.00"x0.40"

GENERAL SPECIFICATIONS

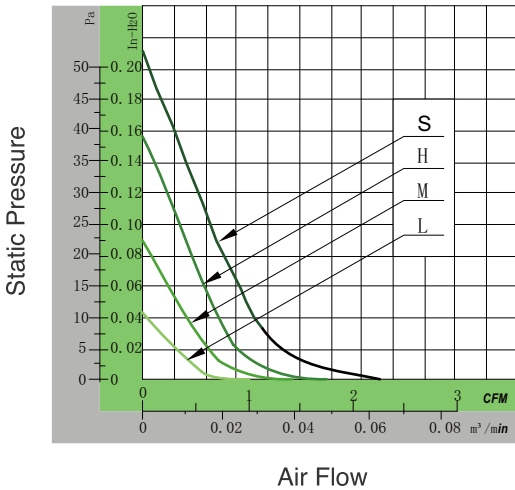
Motor Structure: Brushless DC Motor
 Motor Protection: Auto-Restart | Polarity Protection(Optional)
 Allowable Ambient Temperature Range:
 -10°C ~ +70°C (Operating)
 -40°C ~ +70°C (Storage)
 (non-condensing environment)
 Safety Standard: UL | TUV | ROHS | CE (Optional)
 Customized Fan Features: FG | RD | IP56 (Optional)

MATERIAL

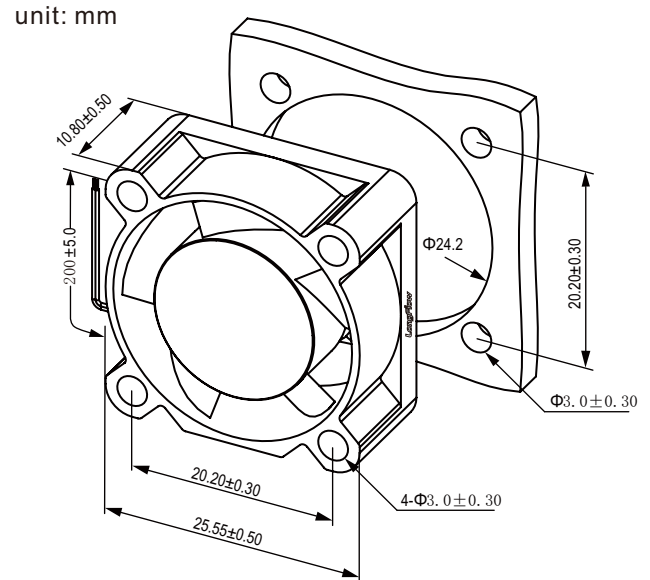
Frame : Plastic (UL94V-0)
 Impeller : Plastic (UL94V-0)
 Bearing&Expected Life:
 Sleeve Bearing 30,000hrs (40°C)
 Lead Wire : UL1571AWG#28 or Equivalent (+) Red, (-) Black



PERFORMANCE CURVES



OUTLINE DRAWING



MODEL SPECIFICATIONS

Model	Rated Voltage	Operating Voltage	Input Current	Input Power	Speed	Max. Air Flow		Max. Air Pressure			Noise Level	Weight
	(V)	(V)	(A)	(W)	RPM	CFM	M³/MIN	mm H ₂ O	in H ₂ O	Pa	dBA	(G)
LFD2510NS05S	5	3.5-5.5	0.20	1.00	12000	2.24	0.06	5.33	0.21	52	27.0	6.0
LFD2510NS05H	5	3.5-5.5	0.18	0.90	10000	1.91	0.05	4.06	0.16	40	25.0	6.0
LFD2510NS05M	5	3.5-5.5	0.14	0.70	8000	1.46	0.04	2.28	0.09	22	22.0	6.0
LFD2510NS05L	5	3.5-5.5	0.10	0.50	6000	1.00	0.03	1.27	0.05	12	19.0	6.0
LFD2510NS12S	12	7.0-13.8	0.10	1.20	12000	2.24	0.06	5.33	0.21	52	27.0	6.0
LFD2510NS12H	12	7.0-13.8	0.08	0.96	10000	1.91	0.05	4.06	0.16	40	25.0	6.0
LFD2510NS12M	12	7.0-13.8	0.06	0.72	8000	1.46	0.04	2.28	0.09	22	22.0	6.0
LFD2510NS12L	12	7.0-13.8	0.04	0.48	6000	1.00	0.03	1.27	0.05	12	19.0	6.0

30x30x10mm
1.18"x1.18"x0.40"

GENERAL SPECIFICATIONS

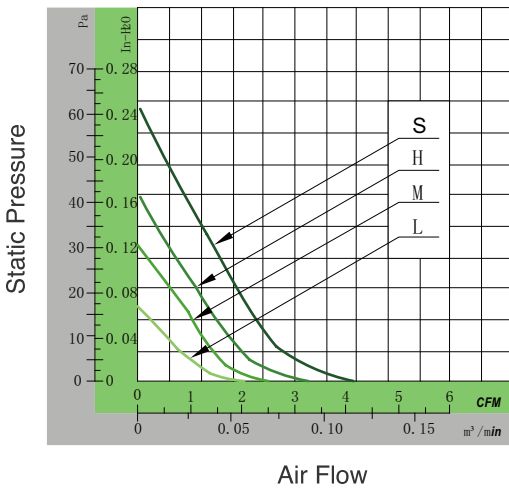
Motor Structure: Brushless DC Motor
 Motor Protection: Auto-Restart | Polarity Protection(Optional)
 Allowable Ambient Temperature Range:
 -10°C ~ +70°C (Operating)
 -40°C ~ +70°C (Storage)
 (non-condensing environment)
 Safety Standard: UL | TUV | ROHS | CE (Optional)
 Customized Fan Features: FG | RD | IP56 (Optional)

MATERIAL

Frame : Plastic (UL94V-0)
 Impeller : Plastic (UL94V-0)
 Bearing&Expected Life:
 Sleeve Bearing 30,000hrs (40°C)
 Lead Wire : UL1571AWG#28 or Equivalent (+) Red, (-) Black

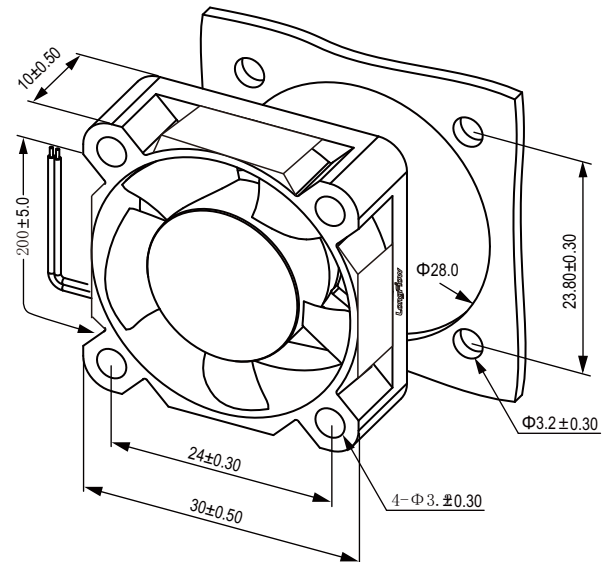


PERFORMANCE CURVES



OUTLINE DRAWING

unit: mm



MODEL SPECIFICATIONS

Model	Rated Voltage	Operating Voltage	Input Current	Input Power	Speed	Max. Air Flow		Max. Air Pressure			Noise Level	Weight
	(V)	(V)	(A)	(W)	RPM	CFM	M ³ /MIN	mm H ₂ O	in H ₂ O	Pa	dBA	(G)
LFD3010NS05S	5	3.5-5.5	0.28	1.10	12000	4.15	0.12	6.35	0.25	62	34.0	8.0
LFD3010NS05H	5	3.5-5.5	0.20	1.00	10000	3.38	0.10	4.31	0.17	42	29.0	8.0
LFD3010NS05M	5	3.5-5.5	0.15	0.75	8000	2.49	0.07	3.30	0.13	32	24.0	8.0
LFD3010NS05L	5	3.5-5.5	0.10	0.50	6000	2.01	0.06	1.78	0.07	17	21.0	8.0
LFD3010NS12S	12	7.0-13.8	0.12	1.44	12000	4.15	0.12	6.35	0.25	62	34.0	8.0
LFD3010NS12H	12	7.0-13.8	0.10	1.20	10000	3.38	0.10	4.31	0.17	42	29.0	8.0
LFD3010NS12M	12	7.0-13.8	0.08	0.96	8000	2.49	0.07	3.30	0.13	32	24.0	8.0
LFD3010NS12L	12	7.0-13.8	0.05	0.60	6000	2.01	0.06	1.78	0.07	17	21.0	8.0

35x35x10mm
1.38"x1.38"x0.40"

GENERAL SPECIFICATIONS

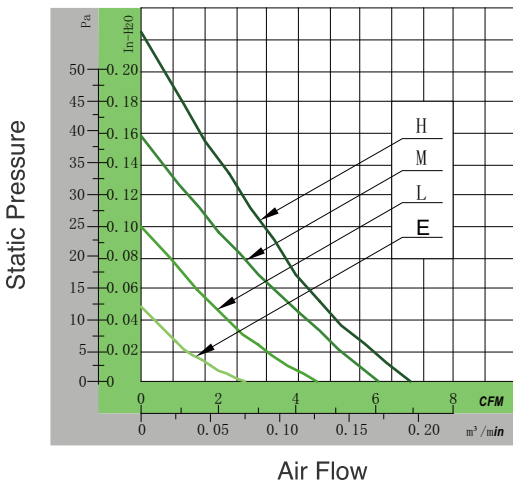
Motor Structure: Brushless DC Motor
 Motor Protection: Auto-Restart | Polarity Protection(Optional)
 Allowable Ambient Temperature Range:
 -10°C ~ +70°C (Operating)
 -40°C ~ +70°C (Storage)
 (non-condensing environment)
 Safety Standard: UL | TUV | ROHS | CE (Optional)
 Customized Fan Features: FG | RD | IP56 (Optional)

MATERIAL

Frame : Plastic (UL94V-0)
 Impeller : Plastic (UL94V-0)
 Bearing&Expected Life:
 Sleeve Bearing 30,000hrs (40°C)
 Lead Wire : UL1571AWG#28 or Equivalent (+) Red, (-) Black

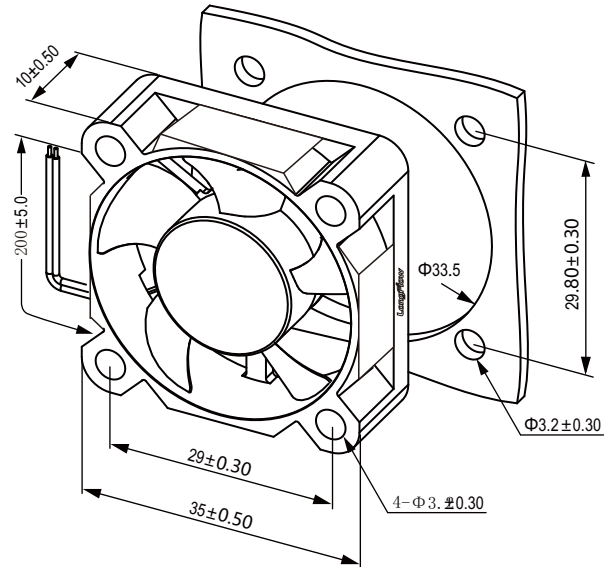


PERFORMANCE CURVES



OUTLINE DRAWING

unit: mm



MODEL SPECIFICATIONS

Model	Rated Voltage	Operating Voltage	Input Current	Input Power	Speed	Max. Air Flow		Max. Air Pressure			Noise Level	Weight
	(V)	(V)	(A)	(W)	RPM	CFM	M ³ /MIN	mm H ₂ O	in H ₂ O	Pa	dBA	(G)
LFD3510NS05M	5	3.5-5.5	0.25	1.25	8000	6.51	0.18	4.06	0.16	40	29.0	10.0
LFD3510NS05L	5	3.5-5.5	0.18	0.90	6000	4.88	0.14	2.54	0.10	25	26.0	10.0
LFD3510NS05E	5	3.5-5.5	0.12	0.60	4000	3.15	0.09	1.02	0.04	10	22.0	10.0
LFD3510NS12H	12	7.0-13.8	0.18	2.16	10000	7.48	0.21	5.58	0.22	55	32.0	10.0
LFD3510NS12M	12	7.0-13.8	0.14	1.68	8000	6.51	0.18	4.06	0.16	40	29.0	10.0
LFD3510NS12L	12	7.0-13.8	0.10	1.20	6000	4.88	0.14	2.54	0.10	25	26.0	10.0

40x40x10mm
1.60"x1.60"x0.40"

GENERAL SPECIFICATIONS

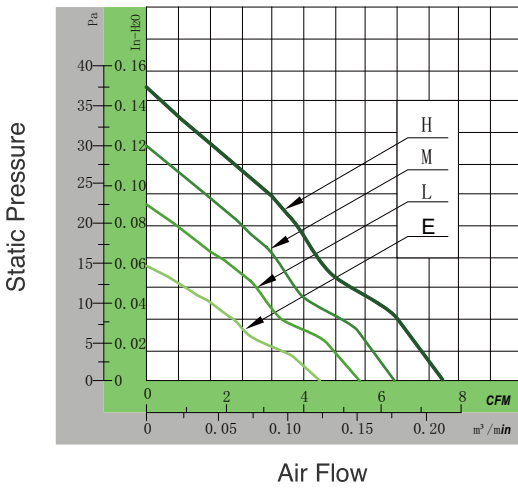
Motor Structure: Brushless DC Motor
 Motor Protection: Auto-Restart | Polarity Protection(Optional)
 Allowable Ambient Temperature Range:
 -10°C ~ +70°C (Operating)
 -40°C ~ +70°C (Storage)
 (non-condensing environment)
 Safety Standard: UL | TUV | ROHS | CE (Optional)
 Customized Fan Features: FG | RD | IP56 (Optional)

MATERIAL

Frame : Plastic (UL94V-0)
 Impeller : Plastic (UL94V-0)
 Bearing&Expected Life:
 Sleeve Bearing 30,000hrs (40°C);
 Ball Bearing 70,000hrs (40°C)
 Lead Wire : UL1007AWG#26 or Equivalent (+) Red, (-) Black

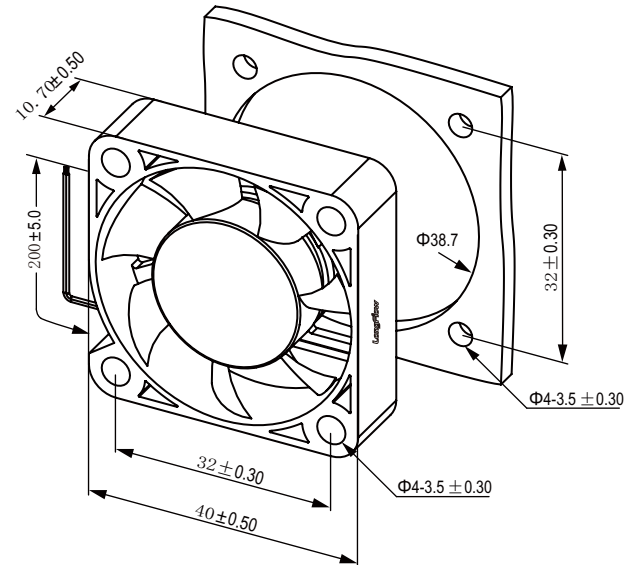


PERFORMANCE CURVES



OUTLINE DRAWING

unit: mm



MODEL SPECIFICATIONS

Model	Rated Voltage	Operating Voltage	Input Current	Input Power	Speed RPM	Max. Air Flow		Max. Air Pressure			Noise Level dBA	Weight (G)
	(V)	(V)	(A)	(W)		CFM	M ³ /MIN	mm H ₂ O	in H ₂ O	Pa		
LFD4010NX05H	5	3.5-5.5	0.22	1.10	7000	7.50	0.21	3.81	0.15	37	32.0	16.0
LFD4010NX05M	5	3.5-5.5	0.14	0.70	6000	6.42	0.18	3.05	0.12	30	27.0	16.0
LFD4010NX05L	5	3.5-5.5	0.10	0.50	5000	5.54	0.16	2.28	0.09	22	24.0	16.0
LFD4010NX05E	5	3.5-5.5	0.08	0.40	4000	4.39	0.12	1.52	0.06	15	21.0	16.0
LFD4010NX12H	12	7.0-13.8	0.15	1.80	7000	7.50	0.21	3.81	0.15	37	32.0	16.0
LFD4010NX12M	12	7.0-13.8	0.08	0.96	6000	6.42	0.18	3.05	0.12	30	27.0	16.0
LFD4010NX12L	12	7.0-13.8	0.06	0.72	5000	5.54	0.16	2.28	0.09	22	24.0	16.0
LFD4010NX12E	12	7.0-13.8	0.04	0.48	4000	4.39	0.12	1.52	0.06	15	21.0	16.0
LFD4010NX24H	24	14.0-27.6	0.07	1.68	7000	7.50	0.21	3.81	0.15	37	32.0	16.0
LFD4010NX24M	24	14.0-27.6	0.05	1.20	6000	6.42	0.18	3.05	0.12	30	27.0	16.0
LFD4010NX24L	24	14.0-27.6	0.04	0.96	5000	5.54	0.16	2.28	0.09	22	24.0	16.0

* X refers to bearing type and can be B or S (B: ball bearing; S: sleeve bearing)

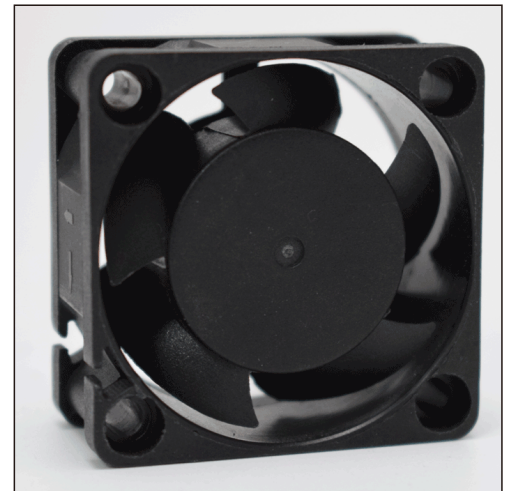
40x40x20mm
1.60"x1.60"x0.80"

GENERAL SPECIFICATIONS

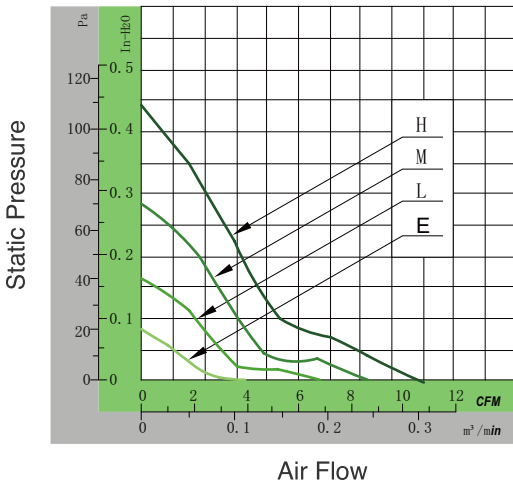
Motor Structure: Brushless DC Motor
 Motor Protection: Auto-Restart | Polarity Protection(Optional)
 Allowable Ambient Temperature Range:
 -10°C ~ +70°C (Operating)
 -40°C ~ +70°C (Storage)
 (non-condensing environment)
 Safety Standard: UL | TUV | ROHS | CE (Optional)
 Customized Fan Features: FG | RD | IP56 (Optional)

MATERIAL

Frame : Plastic (UL94V-0)
 Impeller : Plastic (UL94V-0)
 Bearing&Expected Life:
 Sleeve Bearing 30,000hrs (40°C);
 Ball Bearing 70,000hrs (40°C)
 Lead Wire : UL1007AWG#26 or Equivalent (+) Red, (-) Black

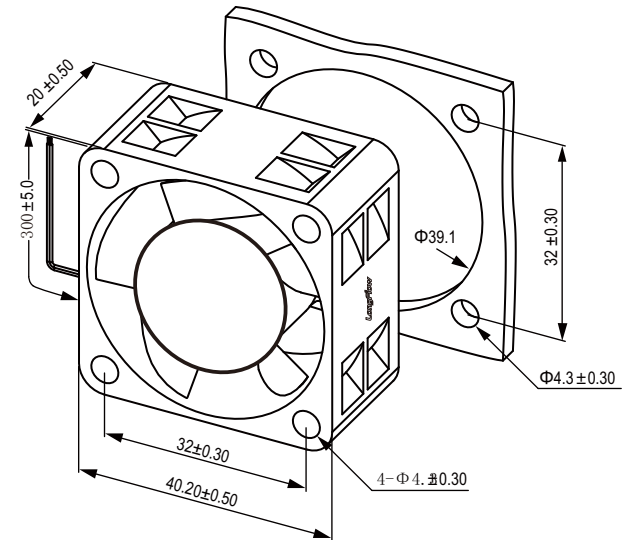


PERFORMANCE CURVES



OUTLINE DRAWING

unit: mm



MODEL SPECIFICATIONS

Model	Rated Voltage	Operating Voltage	Input Current	Input Power	Speed	Max. Air Flow		Max. Air Pressure			Noise Level	Weight
	(V)	(V)	(A)	(W)	RPM	CFM	M³/MIN	mm H ₂ O	in H ₂ O	Pa	dBA	(G)
LFD4020NX05H	5	3.5-5.5	0.40	2.00	10000	10.79	0.31	10.91	0.43	107	38.0	24.0
LFD4020NX05M	5	3.5-5.5	0.25	1.25	8000	8.43	0.24	6.85	0.27	67	35.0	24.0
LFD4020NX05L	5	3.5-5.5	0.18	0.90	6000	6.47	0.18	4.06	0.16	40	27.0	24.0
LFD4020NX05E	5	3.5-5.5	0.10	0.50	4000	3.93	0.11	1.78	0.07	17	23.0	24.0
LFD4020NX12H	12	7.0-13.8	0.16	1.92	10000	10.79	0.31	10.91	0.43	107	38.0	24.0
LFD4020NX12M	12	7.0-13.8	0.13	1.56	8000	8.43	0.24	6.85	0.27	67	35.0	24.0
LFD4020NX12L	12	7.0-13.8	0.08	0.96	6000	6.47	0.18	4.06	0.16	40	27.0	24.0
LFD4020NX12E	12	7.0-13.8	0.05	0.60	4000	3.93	0.11	1.78	0.07	17	23.0	24.0
LFD4020NX24H	24	14.0-27.6	0.12	2.88	10000	10.79	0.31	10.91	0.43	107	38.0	24.0
LFD4020NX24M	24	14.0-27.6	0.08	1.92	8000	8.43	0.24	6.85	0.27	67	35.0	24.0
LFD4020NX24L	24	14.0-27.6	0.05	1.20	6000	6.47	0.18	4.06	0.16	40	27.0	24.0

* X refers to bearing type and can be B or S (B: ball bearing; S: sleeve bearing)

40x40x28mm
1.60"x1.60"x1.10"

GENERAL SPECIFICATIONS

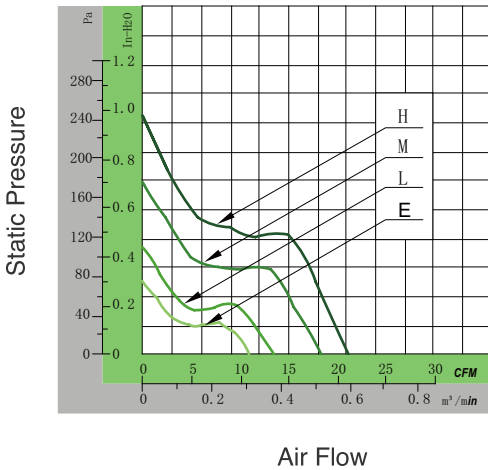
Motor Structure: Brushless DC Motor
 Motor Protection: Auto-Restart | Polarity Protection(Optional)
 Allowable Ambient Temperature Range:
 -10°C ~ +70°C (Operating)
 -40°C ~ +70°C (Storage)
 (non-condensing environment)
 Safety Standard: UL | TUV | ROHS | CE (Optional)
 Customized Fan Features: FG | RD | IP56 (Optional)



MATERIAL

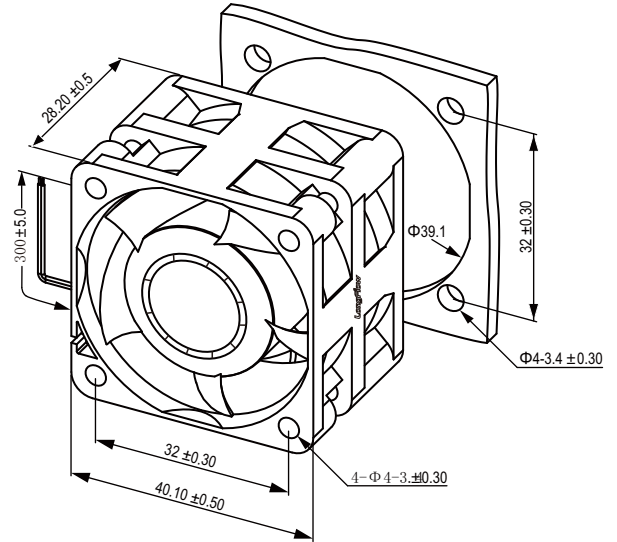
Frame : Plastic (UL94V-0)
 Impeller : Plastic (UL94V-0)
 Bearing&Expected Life:
 Ball Bearing 70,000hrs (40°C)
 Lead Wire : UL1007AWG#24 or Equivalent (+) Red, (-) Black

PERFORMANCE CURVES



OUTLINE DRAWING

unit: mm



MODEL SPECIFICATIONS

Model	Rated Voltage	Operating Voltage	Input Current	Input Power	Speed	Max. Air Flow		Max. Air Pressure			Noise Level	Weight
	(V)	(V)	(A)	(W)	RPM	CFM	M ³ /MIN	mm H ₂ O	in H ₂ O	Pa	dBA	(G)
LFD4028PB12H	12	7.0-13.8	0.65	7.80	15000	21.45	0.61	24.87	0.98	244	58.0	40.0
LFD4028PB12M	12	7.0-13.8	0.45	5.40	13000	18.30	0.52	17.77	0.70	174	50.0	40.0
LFD4028PB12L	12	7.0-13.8	0.25	3.00	10000	13.40	0.38	10.66	0.42	105	42.0	40.0
LFD4028PB12E	12	7.0-13.8	0.17	2.04	8000	10.94	0.31	7.36	0.29	72	39.0	40.0
LFD4028PB24H	24	14.0-27.6	0.35	8.40	15000	21.45	0.61	24.87	0.98	244	58.0	40.0
LFD4028PB24M	24	14.0-27.6	0.25	6.00	13000	18.30	0.52	17.77	0.70	174	50.0	40.0
LFD4028PB24L	24	14.0-27.6	0.14	3.36	10000	13.40	0.38	10.66	0.42	105	42.0	40.0
LFD4028PB24E	24	14.0-27.6	0.11	2.64	8000	10.94	0.31	7.36	0.29	72	39.0	40.0

50x50x10mm
2.00"x2.00"x0.40"

GENERAL SPECIFICATIONS

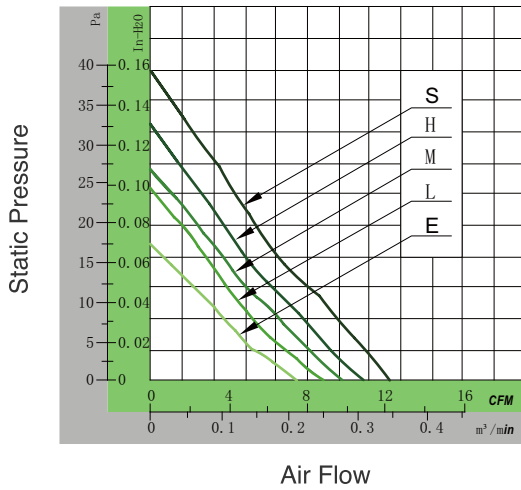
Motor Structure: Brushless DC Motor
 Motor Protection: Auto-Restart | Polarity Protection(Optional)
 Allowable Ambient Temperature Range:
 -10°C ~ +70°C (Operating)
 -40°C ~ +70°C (Storage)
 (non-condensing environment)
 Safety Standard: UL | TUV | ROHS | CE (Optional)
 Customized Fan Features: FG | RD | IP56 (Optional)

MATERIAL

Frame : Plastic (UL94V-0)
 Impeller : Plastic (UL94V-0)
 Bearing&Expected Life:
 Sleeve Bearing 30,000hrs (40°C);
 Ball Bearing 70,000hrs (40°C)
 Lead Wire : UL1007AWG#26 or Equivalent (+) Red, (-) Black

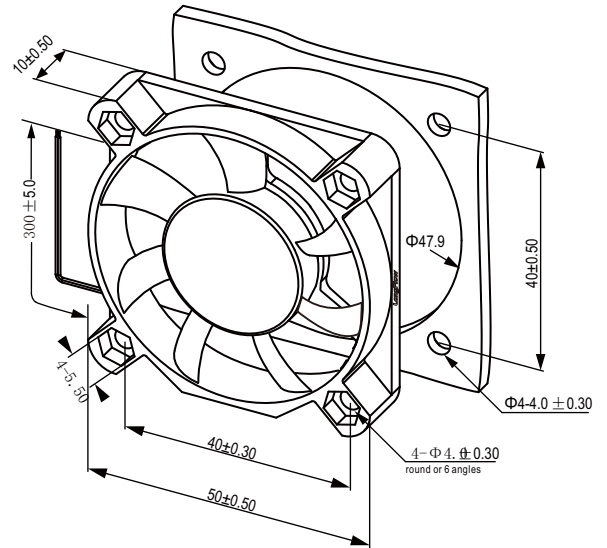


PERFORMANCE CURVES



OUTLINE DRAWING

unit: mm



MODEL SPECIFICATIONS

Model	Rated Voltage	Operating Voltage	Input Current	Input Power	Speed	Max. Air Flow		Max. Air Pressure			Noise Level	Weight
	(V)	(V)	(A)	(W)	RPM	CFM	M ³ /MIN	mm H ₂ O	in H ₂ O	Pa	dBA	(G)
LFD5010NX05H	5	3.5-5.5	0.25	1.25	5500	10.83	0.31	3.30	0.13	32	34.0	20.0
LFD5010NX05M	5	3.5-5.5	0.21	1.05	5000	9.91	0.28	2.79	0.11	27	31.0	20.0
LFD5010NX05L	5	3.5-5.5	0.18	0.90	4500	9.26	0.26	2.54	0.10	25	28.0	20.0
LFD5010NX05E	5	3.5-5.5	0.15	0.75	4000	7.64	0.22	1.78	0.07	17	26.0	20.0
LFD5010NX12S	12	7.0-13.8	0.16	1.92	6000	12.02	0.34	4.06	0.16	40	37.0	20.0
LFD5010NX12H	12	7.0-13.8	0.14	1.68	5500	10.83	0.31	3.30	0.13	32	34.0	20.0
LFD5010NX12M	12	7.0-13.8	0.12	1.44	5000	9.91	0.28	2.79	0.11	27	31.0	20.0
LFD5010NX12L	12	7.0-13.8	0.10	1.20	4500	9.26	0.26	2.54	0.10	25	28.0	20.0
LFD5010NX12E	12	7.0-13.8	0.08	0.96	4000	7.64	0.22	1.78	0.07	17	26.0	20.0
LFD5010NX24S	24	14.0-27.6	0.12	2.88	6000	12.02	0.34	4.06	0.16	40	37.0	20.0
LFD5010NX24H	24	14.0-27.6	0.10	2.40	5500	10.83	0.31	3.30	0.13	32	34.0	20.0
LFD5010NX24M	24	14.0-27.6	0.08	1.92	5000	9.91	0.28	2.79	0.11	27	31.0	20.0
LFD5010NX24L	24	14.0-27.6	0.06	1.44	4500	9.26	0.26	2.54	0.10	25	28.0	20.0
LFD5010NX24E	24	14.0-27.6	0.04	0.96	4000	7.64	0.22	1.78	0.07	17	26.0	20.0

* X refers to bearing type and can be B or S (B: ball bearing; S: sleeve bearing)

50x50x15mm
2.00"x2.00"x0.60"

GENERAL SPECIFICATIONS

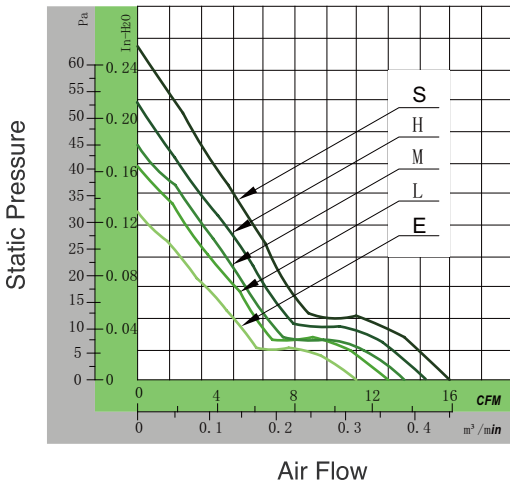
Motor Structure: Brushless DC Motor
 Motor Protection: Auto-Restart | Polarity Protection(Optional)
 Allowable Ambient Temperature Range:
 -10°C ~ +70°C (Operating)
 -40°C ~ +70°C (Storage)
 (non-condensing environment)
 Safety Standard: UL | TUV | ROHS | CE (Optional)
 Customized Fan Features: FG | RD | IP56 (Optional)

MATERIAL

Frame : Plastic (UL94V-0)
 Impeller : Plastic (UL94V-0)
 Bearing&Expected Life:
 Sleeve Bearing 30,000hrs (40°C);
 Ball Bearing 70,000hrs (40°C)
 Lead Wire : UL1007AWG#26 or Equivalent (+) Red, (-) Black

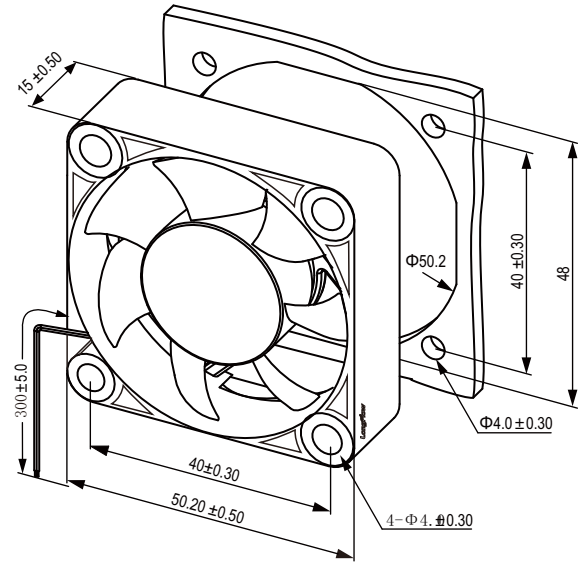


PERFORMANCE CURVES



OUTLINE DRAWING

unit: mm



MODEL SPECIFICATIONS

Model	Rated Voltage	Operating Voltage	Input Current	Input Power	Speed	Max. Air Flow		Max. Air Pressure			Noise Level	Weight
	(V)	(V)	(A)	(W)	RPM	CFM	M ³ /MIN	mm H ₂ O	in H ₂ O	Pa	dBA	(G)
LFD5015NX05H	5	3.5-5.5	0.50	2.50	6000	14.74	0.42	5.33	0.21	52	34.0	29.0
LFD5015NX05M	5	3.5-5.5	0.35	1.75	5500	13.29	0.38	4.57	0.18	45	31.0	29.0
LFD5015NX05L	5	3.5-5.5	0.25	1.25	5000	12.86	0.36	4.06	0.16	40	27.0	29.0
LFD5015NX05E	5	3.5-5.5	0.20	1.00	4500	11.29	0.32	3.30	0.13	32	25.0	29.0
LFD5015NX12S	12	7.0-13.8	0.20	2.40	6500	15.90	0.45	6.35	0.25	62	36.0	29.0
LFD5015NX12H	12	7.0-13.8	0.16	1.92	6000	14.74	0.42	5.33	0.21	52	34.0	29.0
LFD5015NX12M	12	7.0-13.8	0.14	1.68	5500	13.29	0.38	4.57	0.18	45	31.0	29.0
LFD5015NX12L	12	7.0-13.8	0.12	1.44	5000	12.86	0.36	4.06	0.16	40	27.0	29.0
LFD5015NX12E	12	7.0-13.8	0.10	1.20	4500	11.29	0.32	3.30	0.13	32	25.0	29.0
LFD5015NX24S	24	14.0-27.6	0.12	2.88	6500	15.90	0.45	6.35	0.25	62	36.0	29.0
LFD5015NX24H	24	14.0-27.6	0.10	2.40	6000	14.74	0.42	5.33	0.21	52	34.0	29.0
LFD5015NX24M	24	14.0-27.6	0.08	1.92	5500	13.29	0.38	4.57	0.18	45	31.0	29.0
LFD5015NX24L	24	14.0-27.6	0.07	1.68	5000	12.86	0.36	4.06	0.16	40	27.0	29.0
LFD5015NX24E	24	14.0-27.6	0.06	1.44	4500	11.29	0.32	3.30	0.13	32	25.0	29.0

* X refers to bearing type and can be B or S (B: ball bearing; S: sleeve bearing)

50x50x20mm
2.00"x2.00"x0.80"

GENERAL SPECIFICATIONS

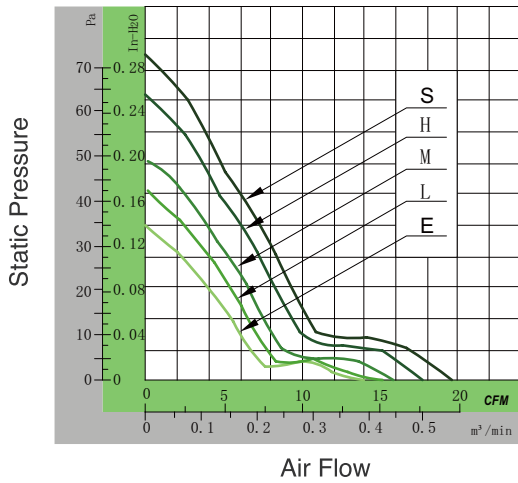
Motor Structure: Brushless DC Motor
 Motor Protection: Auto-Restart | Polarity Protection(Optional)
 Allowable Ambient Temperature Range:
 -10°C ~ +70°C (Operating)
 -40°C ~ +70°C (Storage)
 (non-condensing environment)
 Safety Standard: UL | TUV | ROHS | CE (Optional)
 Customized Fan Features: FG | RD | IP56 (Optional)



MATERIAL

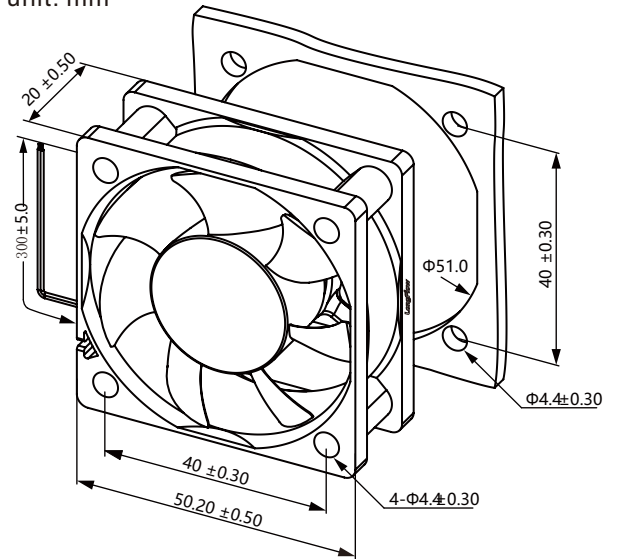
Frame : Plastic (UL94V-0)
 Impeller : Plastic (UL94V-0)
 Bearing&Expected Life:
 Sleeve Bearing 30,000hrs (40°C);
 Ball Bearing 70,000hrs (40°C)
 Lead Wire : UL1007AWG#26 or Equivalent (+) Red, (-) Black

PERFORMANCE CURVES



OUTLINE DRAWING

unit: mm



MODEL SPECIFICATIONS

Model	Rated Voltage	Operating Voltage	Input Current	Input Power	Speed	Max. Air Flow		Max. Air Pressure			Noise Level	Weight
	(V)	(V)	(A)	(W)	RPM	CFM	M ³ /MIN	mm H ₂ O	in H ₂ O	Pa	dBA	(G)
LFD5020NX05H	5	3.5-5.5	0.42	2.10	5500	15.56	0.44	5.08	0.20	50	31.0	32.0
LFD5020NX05M	5	3.5-5.5	0.28	1.40	5000	14.98	0.42	4.31	0.17	42	29.0	32.0
LFD5020NX05L	5	3.5-5.5	0.20	1.00	4500	13.70	0.39	3.55	0.14	35	26.0	32.0
LFD5020NX12S	12	7.0-13.8	0.20	2.40	6500	19.44	0.55	7.36	0.29	72	36.0	32.0
LFD5020NX12H	12	7.0-13.8	0.18	2.16	6000	17.37	0.49	6.60	0.26	65	33.0	32.0
LFD5020NX12M	12	7.0-13.8	0.16	1.92	5500	15.56	0.44	5.08	0.20	50	31.0	32.0
LFD5020NX12L	12	7.0-13.8	0.14	1.68	5000	14.98	0.42	4.31	0.17	42	29.0	32.0
LFD5020NX12E	12	7.0-13.8	0.10	1.20	4500	13.70	0.39	3.55	0.14	35	26.0	32.0
LFD5020NX24S	24	14.0-27.6	0.14	3.36	6500	19.44	0.55	7.36	0.29	72	36.0	32.0
LFD5020NX24H	24	14.0-27.6	0.12	2.88	6000	17.37	0.49	6.60	0.26	65	33.0	32.0
LFD5020NX24M	24	14.0-27.6	0.10	2.40	5500	15.56	0.44	5.08	0.20	50	31.0	32.0
LFD5020NX24L	24	14.0-27.6	0.08	1.92	5000	14.98	0.42	4.31	0.17	42	29.0	32.0
LFD5020NX24E	24	14.0-27.6	0.06	1.44	4500	13.70	0.39	3.55	0.14	35	26.0	32.0

* X refers to bearing type and can be B or S (B: ball bearing; S: sleeve bearing)

60x60x10mm
2.40"x2.40"x0.40"

GENERAL SPECIFICATIONS

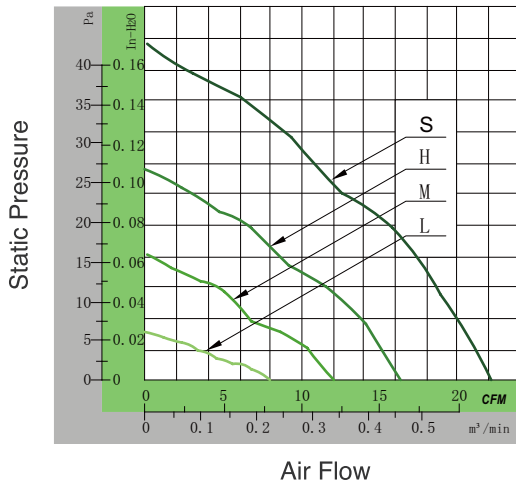
Motor Structure: Brushless DC Motor
 Motor Protection: Auto-Restart | Polarity Protection(Optional)
 Allowable Ambient Temperature Range:
 -10°C ~ +70°C (Operating)
 -40°C ~ +70°C (Storage)
 (non-condensing environment)
 Safety Standard: UL | TUV | ROHS | CE (Optional)
 Customized Fan Features: FG | RD | IP56 (Optional)

MATERIAL

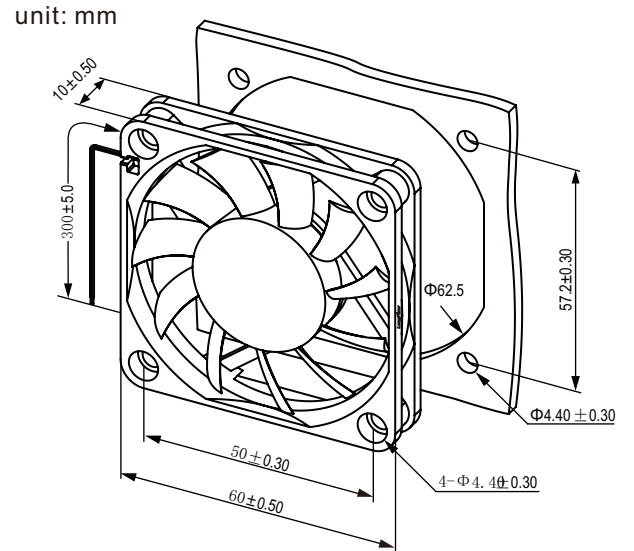
Frame : Plastic (UL94V-0)
 Impeller : Plastic (UL94V-0)
 Bearing&Expected Life:
 Sleeve Bearing 30,000hrs (40°C);
 Ball Bearing 70,000hrs (40°C)
 Lead Wire : UL1007AWG#26 or Equivalent (+) Red, (-) Black



PERFORMANCE CURVES



OUTLINE DRAWING



MODEL SPECIFICATIONS

Model	Rated Voltage	Operating Voltage	Input Current	Input Power	Speed	Max. Air Flow		Max. Air Pressure			Noise Level	Weight
	(V)	(V)	(A)	(W)	RPM	CFM	M ³ /MIN	mm H ₂ O	in H ₂ O	Pa	dBA	(G)
LFD6010NX05H	5	3.5-5.5	0.30	1.50	4000	14.43	0.41	4.06	0.16	40	32.0	26.0
LFD6010NX05M	5	3.5-5.5	0.17	0.85	3000	11.13	0.31	2.54	0.10	25	25.0	26.0
LFD6010NX05L	5	3.5-5.5	0.10	0.50	2000	7.50	0.21	1.52	0.06	15	22.0	26.0
LFD6010NX12S	12	7.0-13.8	0.28	3.36	5000	17.83	0.50	5.84	0.23	57	35.0	26.0
LFD6010NX12H	12	7.0-13.8	0.15	1.80	4000	14.43	0.41	4.06	0.16	40	32.0	26.0
LFD6010NX12M	12	7.0-13.8	0.08	0.96	3000	11.13	0.31	2.54	0.10	25	25.0	26.0
LFD6010NX12L	12	7.0-13.8	0.05	0.60	2000	7.50	0.21	1.52	0.06	15	22.0	26.0
LFD6010NX24S	24	14.0-27.6	0.15	3.60	5000	17.83	0.50	5.84	0.23	57	35.0	26.0
LFD6010NX24H	24	14.0-27.6	0.10	2.40	4000	14.43	0.41	4.06	0.16	40	32.0	26.0
LFD6010NX24M	24	14.0-27.6	0.05	1.20	3000	11.13	0.31	2.54	0.10	25	25.0	26.0

* X refers to bearing type and can be B or S (B: ball bearing; S: sleeve bearing)

60x60x15mm
2.40"x2.40"x0.60"

GENERAL SPECIFICATIONS

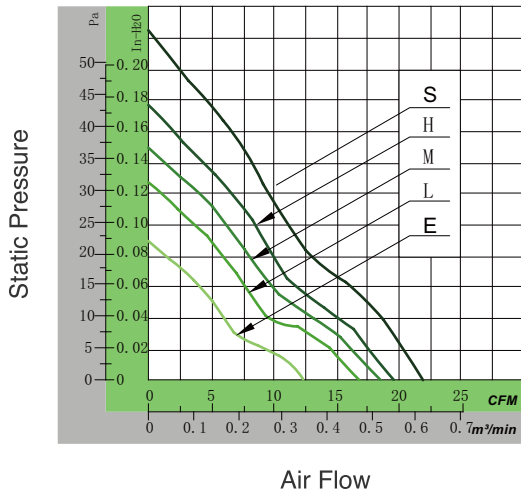
Motor Structure: Brushless DC Motor
 Motor Protection: Auto-Restart | Polarity Protection(Optional)
 Allowable Ambient Temperature Range:
 -10°C ~ +70°C (Operating)
 -40°C ~ +70°C (Storage)
 (non-condensing environment)
 Safety Standard: UL | TUV | ROHS | CE (Optional)
 Customized Fan Features: FG | RD | IP56 (Optional)

MATERIAL

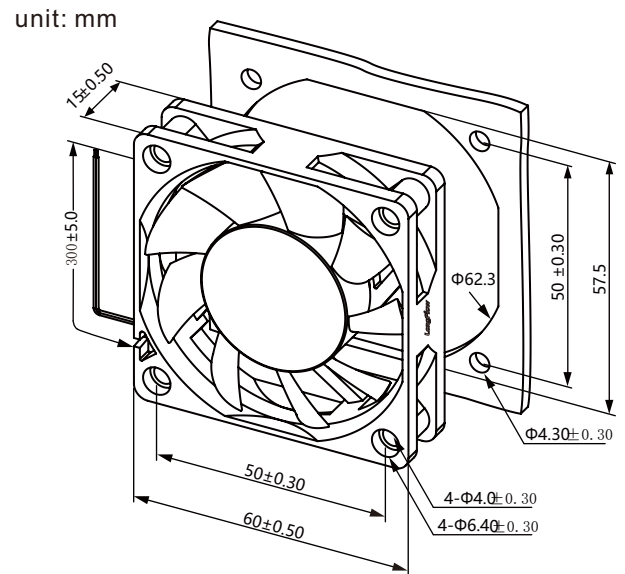
Frame : Plastic (UL94V-0)
 Impeller : Plastic (UL94V-0)
 Bearing&Expected Life:
 Sleeve Bearing 30,000hrs (40°C);
 Ball Bearing 70,000hrs (40°C)
 Lead Wire : UL1007AWG#24 or Equivalent (+) Red, (-) Black



PERFORMANCE CURVES



OUTLINE DRAWING



MODEL SPECIFICATIONS

Model	Rated Voltage	Operating Voltage	Input Current	Input Power	Speed	Max. Air Flow		Max. Air Pressure			Noise Level	Weight
	(V)	(V)	(A)	(W)	RPM	CFM	M ³ /MIN	mm H ₂ O	in H ₂ O	Pa	dBA	(G)
LFD6015NX05M	5	3.5-5.5	0.58	2.90	4000	18.55	0.52	3.81	0.15	37	29.0	42.0
LFD6015NX05L	5	3.5-5.5	0.40	2.00	3500	16.84	0.48	3.30	0.13	32	26.0	42.0
LFD6015NX05E	5	3.5-5.5	0.25	1.25	3000	12.96	0.37	2.28	0.09	22	24.0	42.0
LFD6015NX12S	12	7.0-13.8	0.30	3.60	5000	22.77	0.64	5.58	0.22	55	37.0	42.0
LFD6015NX12H	12	7.0-13.8	0.22	2.64	4500	19.94	0.56	4.31	0.17	42	33.0	42.0
LFD6015NX12M	12	7.0-13.8	0.18	2.16	4000	18.55	0.52	3.81	0.15	37	29.0	42.0
LFD6015NX12L	12	7.0-13.8	0.15	1.80	3500	16.84	0.48	3.30	0.13	32	26.0	42.0
LFD6015NX12E	12	7.0-13.8	0.12	1.44	3000	12.96	0.37	2.28	0.09	22	24.0	42.0
LFD6015NX24S	24	14.0-27.6	0.18	4.32	5000	22.77	0.64	5.58	0.22	55	37.0	42.0
LFD6015NX24H	24	14.0-27.6	0.16	3.84	4500	19.94	0.56	4.31	0.17	42	33.0	42.0
LFD6015NX24M	24	14.0-27.6	0.12	2.88	4000	18.55	0.52	3.81	0.15	37	29.0	42.0
LFD6015NX24L	24	14.0-27.6	0.10	2.40	3500	16.84	0.48	3.30	0.13	32	26.0	42.0

* X refers to bearing type and can be B or S (B: ball bearing; S: sleeve bearing)

60x60x20mm
2.40"x2.40"x0.80"

GENERAL SPECIFICATIONS

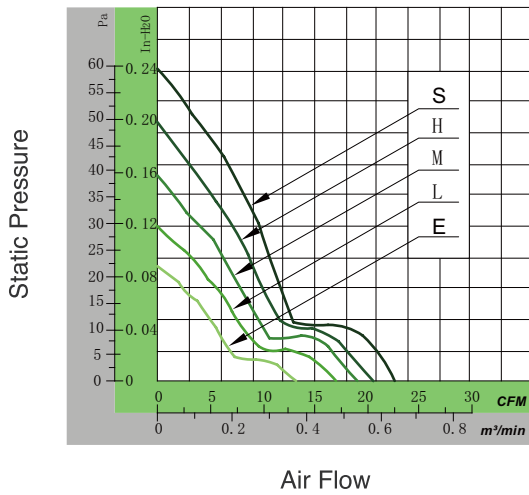
Motor Structure: Brushless DC Motor
 Motor Protection: Auto-Restart | Polarity Protection(Optional)
 Allowable Ambient Temperature Range:
 -10°C ~ +70°C (Operating)
 -40°C ~ +70°C (Storage)
 (non-condensing environment)
 Safety Standard: UL | TUV | ROHS | CE (Optional)
 Customized Fan Features: FG | RD | IP56 (Optional)



MATERIAL

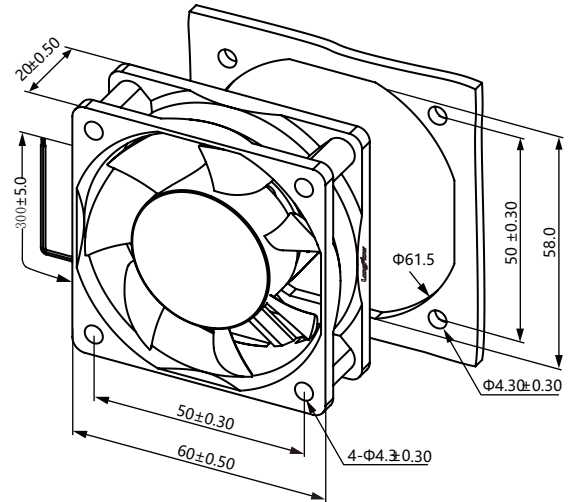
Frame : Plastic (UL94V-0)
 Impeller : Plastic (UL94V-0)
 Bearing&Expected Life:
 Sleeve Bearing 30,000hrs (40°C);
 Ball Bearing 70,000hrs (40°C)
 Lead Wire : UL1007AWG#24 or Equivalent (+) Red, (-) Black

PERFORMANCE CURVES



OUTLINE DRAWING

unit: mm



MODEL SPECIFICATIONS

Model	Rated Voltage	Operating Voltage	Input Current	Input Power	Speed	Max. Air Flow		Max. Air Pressure			Noise Level	Weight
	(V)	(V)	(A)	(W)	RPM	CFM	M³/MIN	mm H ₂ O	in H ₂ O	Pa	dBA	(G)
LFD6020NX12S	12	7.0-13.8	0.25	3.00	5000	23.16	0.66	6.09	0.24	60	34.0	52.0
LFD6020NX12H	12	7.0-13.8	0.20	2.40	4500	21.40	0.61	5.08	0.20	50	31.0	52.0
LFD6020NX12M	12	7.0-13.8	0.16	1.92	4000	18.74	0.53	4.06	0.16	40	28.0	52.0
LFD6020NX12L	12	7.0-13.8	0.12	1.44	3500	16.38	0.46	3.05	0.12	30	25.0	52.0
LFD6020NX12E	12	7.0-13.8	0.10	1.20	3000	13.80	0.39	2.28	0.09	22	23.0	52.0
LFD6020NX24S	24	14.0-27.6	0.16	3.84	5000	23.16	0.66	6.09	0.24	60	34.0	52.0
LFD6020NX24H	24	14.0-27.6	0.14	3.36	4500	21.40	0.61	5.08	0.20	50	31.0	52.0
LFD6020NX24M	24	14.0-27.6	0.12	2.88	4000	18.74	0.53	4.06	0.16	40	28.0	52.0
LFD6020NX24L	24	14.0-27.6	0.10	2.40	3500	16.38	0.46	3.05	0.12	30	25.0	52.0

* X refers to bearing type and can be B or S (B: ball bearing; S: sleeve bearing)

60x60x25mm
2.40"x2.40"x1.00"

GENERAL SPECIFICATIONS

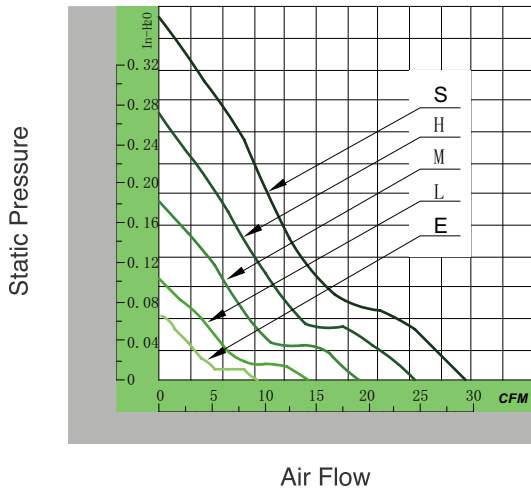
Motor Structure: Brushless DC Motor
 Motor Protection: Auto-Restart | Polarity Protection(Optional)
 Allowable Ambient Temperature Range:
 -10°C ~ +70°C (Operating)
 -40°C ~ +70°C (Storage)
 (non-condensing environment)
 Safety Standard: UL | TUV | ROHS | CE (Optional)
 Customized Fan Features: FG | RD | IP56|PWM (Optional)



MATERIAL

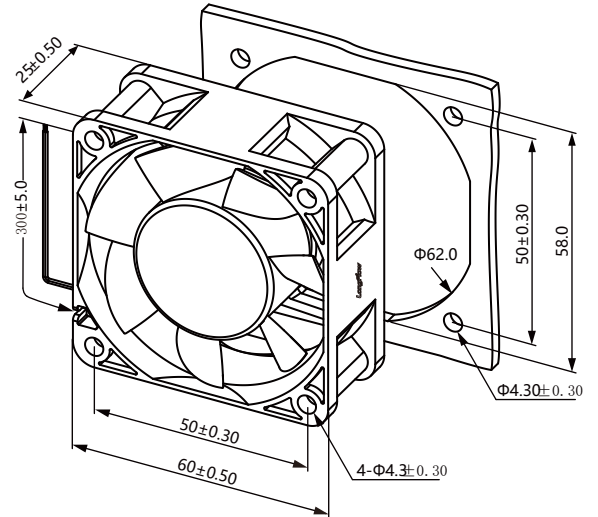
Frame : Plastic (UL94V-0)
 Impeller : Plastic (UL94V-0)
 Bearing&Expected Life:
 Sleeve Bearing 30,000hrs (40°C);
 Ball Bearing 70,000hrs (40°C)
 Lead Wire : UL1007AWG#24 or Equivalent (+) Red, (-) Black

PERFORMANCE CURVES



OUTLINE DRAWING

unit: mm



MODEL SPECIFICATIONS

Model	Rated Voltage	Operating Voltage	Input Current	Input Power	Speed	Max. Air Flow		Max. Air Pressure			Noise Level	Weight
	(V)	(V)	(A)	(W)	RPM	CFM	M ³ /MIN	mm H ₂ O	in H ₂ O	Pa	dBA	(G)
LFD6025NX12S	12	7.0-13.8	0.45	5.40	6000	29.43	0.83	9.39	0.37	92	45.0	56.0
LFD6025NX12H	12	7.0-13.8	0.25	3.00	5000	24.77	0.70	6.85	0.27	67	38.0	56.0
LFD6025NX12M	12	7.0-13.8	0.18	2.16	4000	19.15	0.54	4.31	0.17	42	32.0	56.0
LFD6025NX12L	12	7.0-13.8	0.10	1.20	3000	14.77	0.42	2.79	0.11	27	27.0	56.0
LFD6025NX12E	12	7.0-13.8	0.06	0.72	2000	9.20	0.26	1.02	0.04	10	23.0	56.0
LFD6025NX24S	24	14.0-27.6	0.25	6.00	6000	29.43	0.83	9.39	0.37	92	45.0	56.0
LFD6025NX24H	24	14.0-27.6	0.18	4.32	5000	24.77	0.70	6.85	0.27	67	38.0	56.0
LFD6025NX24M	24	14.0-27.6	0.15	3.60	4000	19.15	0.54	4.31	0.17	42	32.0	56.0
LFD6025NX24L	24	14.0-27.6	0.10	2.40	3000	14.77	0.42	2.79	0.11	27	27.0	56.0
LFD6025NX48S	48	28.0-56.0	0.18	8.64	6000	29.43	0.83	9.39	0.37	92	45.0	56.0
LFD6025NX48H	48	28.0-56.0	0.12	5.76	5000	24.77	0.70	6.85	0.27	67	38.0	56.0
LFD6025NX48M	48	28.0-56.0	0.08	3.84	4000	19.15	0.54	4.31	0.17	42	32.0	56.0
LFD6025NX48L	48	28.0-56.0	0.06	2.88	3000	14.77	0.42	2.79	0.11	27	27.0	56.0

* X refers to bearing type and can be B or S (B: ball bearing; S: sleeve bearing)

60x60x38mm
2.40"x2.40"x1.50"

GENERAL SPECIFICATIONS

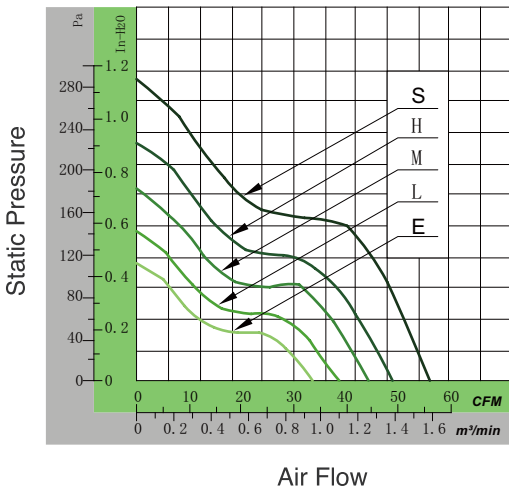
Motor Structure: Brushless DC Motor
 Motor Protection: Auto-Restart | Polarity Protection(Optional)
 Allowable Ambient Temperature Range:
 -10°C ~ +70°C (Operating)
 -40°C ~ +70°C (Storage)
 (non-condensing environment)
 Safety Standard: UL | TUV | ROHS | CE (Optional)
 Customized Fan Features: FG | RD | IP56|PWM (Optional)



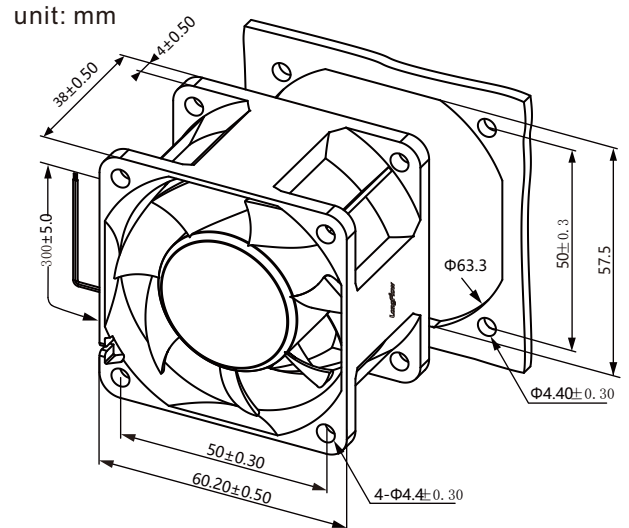
MATERIAL

Frame : Plastic (UL94V-0)
 Impeller : Plastic (UL94V-0)
 Bearing&Expected Life:
 Ball Bearing 70,000hrs (40°C)
 Lead Wire : UL1007AWG#24 or Equivalent (+) Red, (-) Black

PERFORMANCE CURVES



OUTLINE DRAWING



MODEL SPECIFICATIONS

Model	Rated Voltage	Operating Voltage	Input Current	Input Power	Speed	Max. Air Flow		Max. Air Pressure			Noise Level	Weight
	(V)	(V)	(A)	(W)	RPM	CFM	M ³ /MIN	mm H ₂ O	in H ₂ O	Pa	dBA	(G)
LFD6038PB12H	12	7.0-13.8	1.00	12.00	9000	49.91	1.41	22.84	0.90	224	60.0	85.0
LFD6038PB12M	12	7.0-13.8	0.70	8.40	8000	44.52	1.26	18.78	0.74	184	55.0	85.0
LFD6038PB12L	12	7.0-13.8	0.50	6.00	7000	39.02	1.10	14.47	0.57	142	51.0	85.0
LFD6038PB12E	12	7.0-13.8	0.40	4.80	6000	33.51	0.95	10.91	0.43	107	47.0	85.0
LFD6038PB24S	24	14.0-27.6	0.65	15.60	10000	56.68	1.60	29.19	1.15	286	65.0	85.0
LFD6038PB24H	24	14.0-27.6	0.50	12.00	9000	49.91	1.41	22.84	0.90	224	60.0	85.0
LFD6038PB24M	24	14.0-27.6	0.35	8.40	8000	44.52	1.26	18.78	0.74	184	55.0	85.0
LFD6038PB24L	24	14.0-27.6	0.30	7.20	7000	39.02	1.10	14.47	0.57	142	51.0	85.0
LFD6038PB24E	24	14.0-27.6	0.25	6.00	6000	33.51	0.95	10.91	0.43	107	47.0	85.0
LFD6038PB48S	48	28.0-56.0	0.35	16.80	10000	56.68	1.60	29.19	1.15	286	65.0	85.0
LFD6038PB48H	48	28.0-56.0	0.30	14.40	9000	49.91	1.41	22.84	0.90	224	60.0	85.0
LFD6038PB48M	48	28.0-56.0	0.25	12.00	8000	44.52	1.26	18.78	0.74	184	55.0	85.0
LFD6038PB48L	48	28.0-56.0	0.20	9.60	7000	39.02	1.10	14.47	0.57	142	51.0	85.0
LFD6038PB48E	48	28.0-56.0	0.15	7.20	6000	33.51	0.95	10.91	0.43	107	47.0	85.0

70x70x15mm
2.80"x2.80"x0.60"

GENERAL SPECIFICATIONS

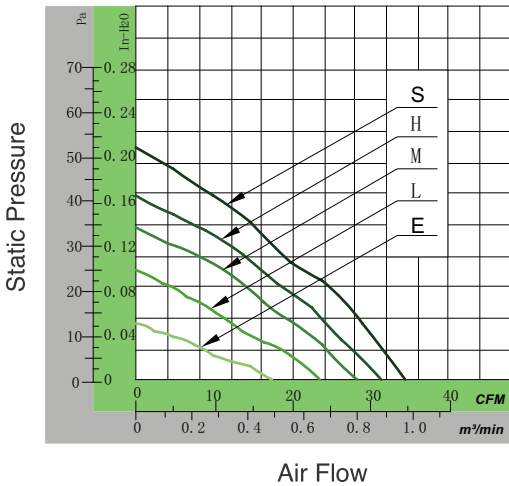
Motor Structure: Brushless DC Motor
 Motor Protection: Auto-Restart | Polarity Protection(Optional)
 Allowable Ambient Temperature Range:
 -10°C ~ +70°C (Operating)
 -40°C ~ +70°C (Storage)
 (non-condensing environment)
 Safety Standard: UL | TUV | ROHS | CE (Optional)
 Customized Fan Features: FG | RD | IP56|PWM (Optional)

MATERIAL

Frame : Plastic (UL94V-0)
 Impeller : Plastic (UL94V-0)
 Bearing&Expected Life:
 Sleeve Bearing 30,000hrs (40°C);
 Ball Bearing 70,000hrs (40°C)
 Lead Wire : UL1007AWG#24 or Equivalent (+) Red, (-) Black

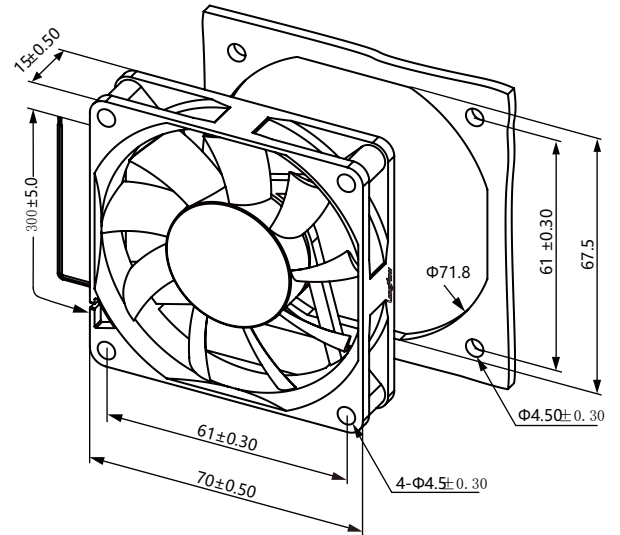


PERFORMANCE CURVES



OUTLINE DRAWING

unit: mm



MODEL SPECIFICATIONS

Model	Rated Voltage	Operating Voltage	Input Current	Input Power	Speed	Max. Air Flow		Max. Air Pressure			Noise Level	Weight
	(V)	(V)	(A)	(W)	RPM	CFM	M³/MIN	mm H ₂ O	in H ₂ O	Pa	dBA	(G)
LFD7015NX12S	12	7.0-13.8	0.45	5.40	4500	34.95	0.99	5.33	0.21	52	41.0	48.0
LFD7015NX12H	12	7.0-13.8	0.40	4.80	4000	31.28	0.89	4.06	0.16	40	36.0	48.0
LFD7015NX12M	12	7.0-13.8	0.30	3.60	3500	28.48	0.81	3.55	0.14	35	33.0	48.0
LFD7015NX12L	12	7.0-13.8	0.20	2.40	3000	23.95	0.68	2.54	0.10	25	28.0	48.0
LFD7015NX12E	12	7.0-13.8	0.15	1.80	2500	17.45	0.49	1.27	0.05	12	26.0	48.0
LFD7015NX24S	24	14.0-27.6	0.30	7.20	4500	34.95	0.99	5.33	0.21	52	41.0	48.0
LFD7015NX24H	24	14.0-27.6	0.28	6.72	4000	31.28	0.89	4.06	0.16	40	36.0	48.0
LFD7015NX24M	24	14.0-27.6	0.25	6.00	3500	28.48	0.81	3.55	0.14	35	33.0	48.0
LFD7015NX24L	24	14.0-27.6	0.20	4.80	3000	23.95	0.68	2.54	0.10	25	28.0	48.0
LFD7015NX24E	24	14.0-27.6	0.15	3.60	2500	17.45	0.49	1.27	0.05	12	26.0	48.0

* X refers to bearing type and can be B or S (B: ball bearing; S: sleeve bearing)

70x70x25mm
2.80"x2.80"x1.00"

GENERAL SPECIFICATIONS

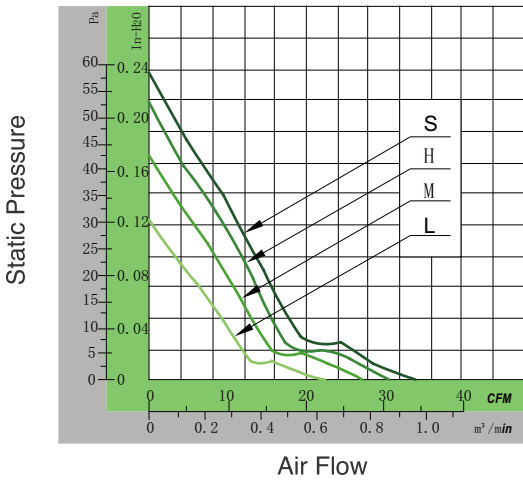
Motor Structure: Brushless DC Motor
 Motor Protection: Auto-Restart | Polarity Protection(Optional)
 Allowable Ambient Temperature Range:
 -10°C ~ +70°C (Operating)
 -40°C ~ +70°C (Storage)
 (non-condensing environment)
 Safety Standard: UL | TUV | ROHS | CE (Optional)
 Customized Fan Features: FG | RD | IP56|PWM (Optional)

MATERIAL

Frame : Plastic (UL94V-0)
 Impeller : Plastic (UL94V-0)
 Bearing&Expected Life:
 Sleeve Bearing 30,000hrs (40°C);
 Ball Bearing 70,000hrs (40°C)
 Lead Wire : UL1007AWG#24 or Equivalent (+) Red, (-) Black

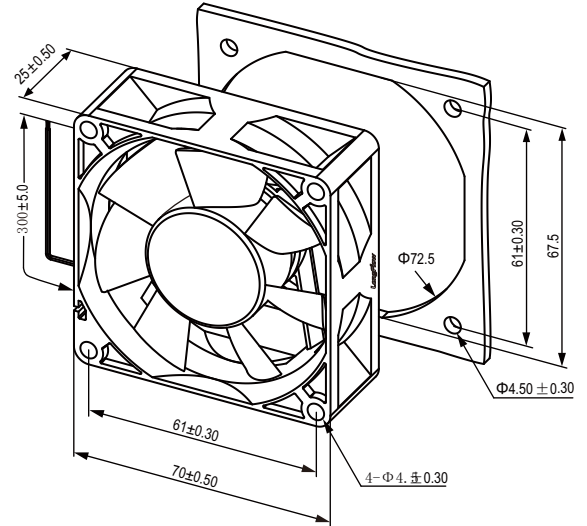


PERFORMANCE CURVES



OUTLINE DRAWING

unit: mm



MODEL SPECIFICATIONS

Model	Rated Voltage	Operating Voltage	Input Current	Input Power	Speed	Max. Air Flow		Max. Air Pressure			Noise Level	Weight
	(V)	(V)	(A)	(W)	RPM	CFM	M³/MIN	mm H ₂ O	in H ₂ O	Pa	dBA	(G)
LFD7025NX12S	12	7.0-13.8	0.30	3.60	4500	33.57	0.95	6.09	0.24	60	42.0	52.0
LFD7025NX12H	12	7.0-13.8	0.25	3.00	4000	31.01	0.88	5.33	0.21	52	37.0	52.0
LFD7025NX12M	12	7.0-13.8	0.20	2.40	3500	27.93	0.79	4.31	0.17	42	32.0	52.0
LFD7025NX12L	12	7.0-13.8	0.15	1.80	3000	23.02	0.65	3.30	0.13	32	28.0	52.0
LFD7025NX24S	24	14.0-27.6	0.20	4.80	4500	33.57	0.95	6.09	0.24	60	42.0	52.0
LFD7025NX24H	24	14.0-27.6	0.16	3.84	4000	31.01	0.88	5.33	0.21	52	37.0	52.0
LFD7025NX24M	24	14.0-27.6	0.12	2.88	3500	27.93	0.79	4.31	0.17	42	32.0	52.0
LFD7025NX24L	24	14.0-27.6	0.08	1.92	3000	23.02	0.65	3.30	0.13	32	28.0	52.0

* X refers to bearing type and can be B or S (B: ball bearing; S: sleeve bearing)

80x80x15mm
3.15"x3.15"x0.60"

GENERAL SPECIFICATIONS

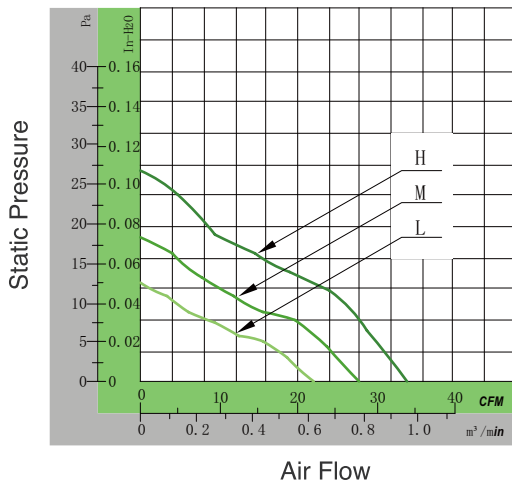
Motor Structure: Brushless DC Motor
 Motor Protection: Auto-Restart | Polarity Protection(Optional)
 Allowable Ambient Temperature Range:
 -10°C ~ +70°C (Operating)
 -40°C ~ +70°C (Storage)
 (non-condensing environment)
 Safety Standard: UL | TUV | ROHS | CE (Optional)
 Customized Fan Features: FG | RD | IP56|PWM (Optional)



MATERIAL

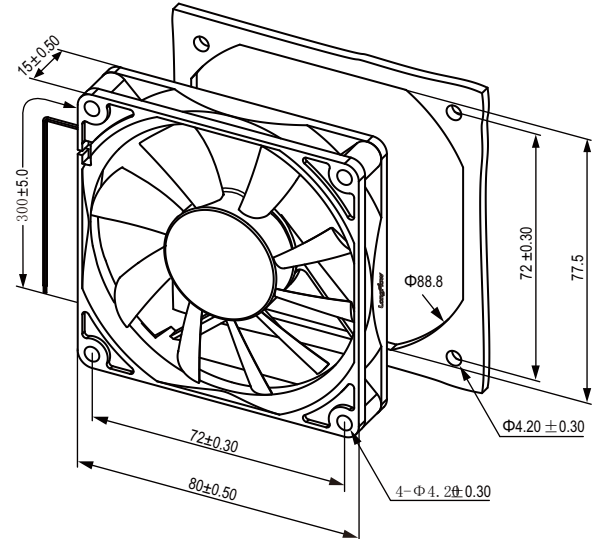
Frame : Plastic (UL94V-0)
 Impeller : Plastic (UL94V-0)
 Bearing&Expected Life:
 Sleeve Bearing 30,000hrs (40°C);
 Ball Bearing 70,000hrs (40°C)
 Lead Wire : UL1007AWG#24 or Equivalent (+) Red, (-) Black

PERFORMANCE CURVES



OUTLINE DRAWING

unit: mm



MODEL SPECIFICATIONS

Model	Rated Voltage	Operating Voltage	Input Current	Input Power	Speed	Max. Air Flow		Max. Air Pressure			Noise Level	Weight
	(V)	(V)	(A)	(W)	RPM	CFM	M ³ /MIN	mm H ₂ O	in H ₂ O	Pa	dBA	(G)
LFD8015NX12H	12	7.0-13.8	0.30	3.60	3000	34.33	0.97	2.79	0.11	27	33.0	54.0
LFD8015NX12M	12	7.0-13.8	0.20	2.40	2500	27.45	0.78	2.03	0.08	20	27.0	54.0
LFD8015NX12L	12	7.0-13.8	0.12	1.44	2000	22.07	0.62	1.27	0.05	12	23.0	54.0
LFD8015NX24H	24	14.0-27.6	0.18	4.32	3000	34.33	0.97	2.79	0.11	27	33.0	54.0
LFD8015NX24M	24	14.0-27.6	0.15	3.60	2500	27.45	0.78	2.03	0.08	20	27.0	54.0
LFD8015NX24L	24	14.0-27.6	0.10	2.40	2000	22.07	0.62	1.27	0.05	12	23.0	54.0

* X refers to bearing type and can be B or S (B: ball bearing; S: sleeve bearing)

80x80x20mm
3.15"x3.15"x0.80"

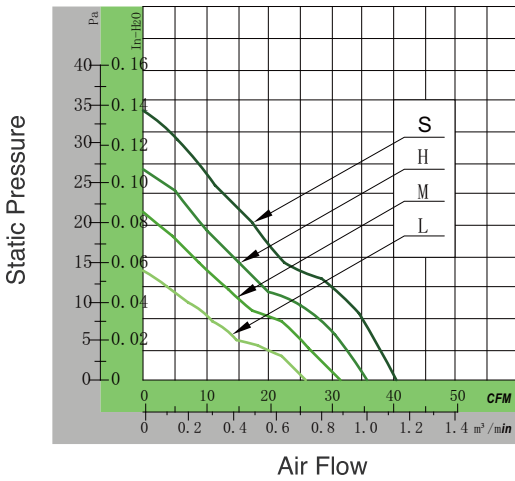
GENERAL SPECIFICATIONS

Motor Structure: Brushless DC Motor
 Motor Protection: Auto-Restart | Polarity Protection(Optional)
 Allowable Ambient Temperature Range:
 -10°C ~ +70°C (Operating)
 -40°C ~ +70°C (Storage)
 (non-condensing environment)
 Safety Standard: UL | TUV | ROHS | CE (Optional)
 Customized Fan Features: FG | RD | IP56|PWM (Optional)

MATERIAL

Frame : Plastic (UL94V-0)
 Impeller : Plastic (UL94V-0)
 Bearing&Expected Life:
 Sleeve Bearing 30,000hrs (40°C);
 Ball Bearing 70,000hrs (40°C)
 Lead Wire : UL1007AWG#24 or Equivalent (+) Red, (-) Black

PERFORMANCE CURVES



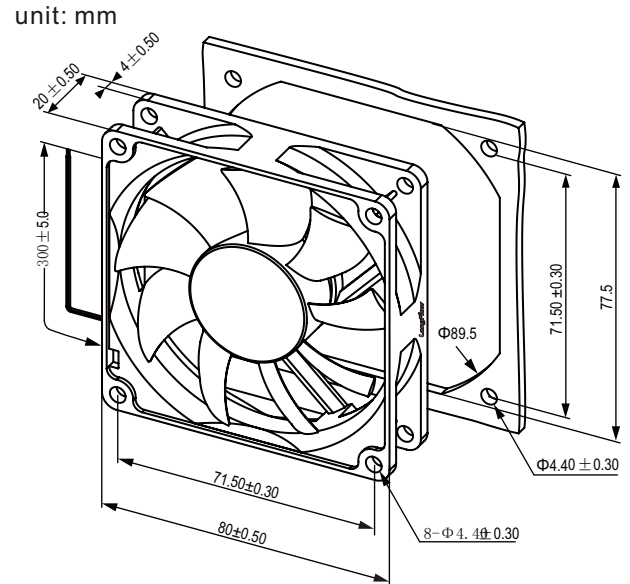
MODEL SPECIFICATIONS

Model	Rated Voltage	Operating Voltage	Input Current	Input Power	Speed	Max. Air Flow		Max. Air Pressure			Noise Level	Weight
	(V)	(V)	(A)	(W)	RPM	CFM	M ³ /MIN	mm H ₂ O	in H ₂ O	Pa	dBA	(G)
LFD8020NX12S	12	7.0-13.8	0.35	4.20	3500	40.31	1.14	3.55	0.14	35	35.0	58.0
LFD8020NX12H	12	7.0-13.8	0.25	3.00	3000	35.09	0.99	2.79	0.11	27	32.0	58.0
LFD8020NX12M	12	7.0-13.8	0.18	2.16	2500	30.72	0.87	2.03	0.08	20	25.0	58.0
LFD80205NX12L	12	7.0-13.8	0.13	1.56	2000	25.44	0.72	1.52	0.06	15	22.0	58.0
LFD8020NX24S	24	14.0-27.6	0.18	4.32	3500	40.31	1.14	3.55	0.14	35	35.0	58.0
LFD8020NX24H	24	14.0-27.6	0.14	3.36	3000	35.09	0.99	2.79	0.11	27	32.0	58.0
LFD8020NX24M	24	14.0-27.6	0.10	2.40	2500	30.72	0.87	2.03	0.08	20	25.0	58.0
LFD8020NX24L	24	14.0-27.6	0.07	1.68	2000	25.44	0.72	1.52	0.06	15	22.0	58.0

* X refers to bearing type and can be B or S (B: ball bearing; S: sleeve bearing)



OUTLINE DRAWING



80x80x25mm
3.15"x3.15"x1.00"

GENERAL SPECIFICATIONS

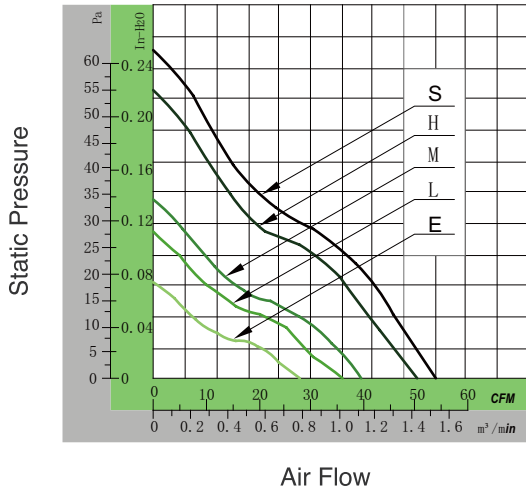
Motor Structure: Brushless DC Motor
 Motor Protection: Auto-Restart | Polarity Protection(Optional)
 Allowable Ambient Temperature Range:
 -10°C ~ +70°C (Operating)
 -40°C ~ +70°C (Storage)
 (non-condensing environment)
 Safety Standard: UL | TUV | ROHS | CE (Optional)
 Customized Fan Features: FG | RD | IP56|PWM (Optional)

MATERIAL

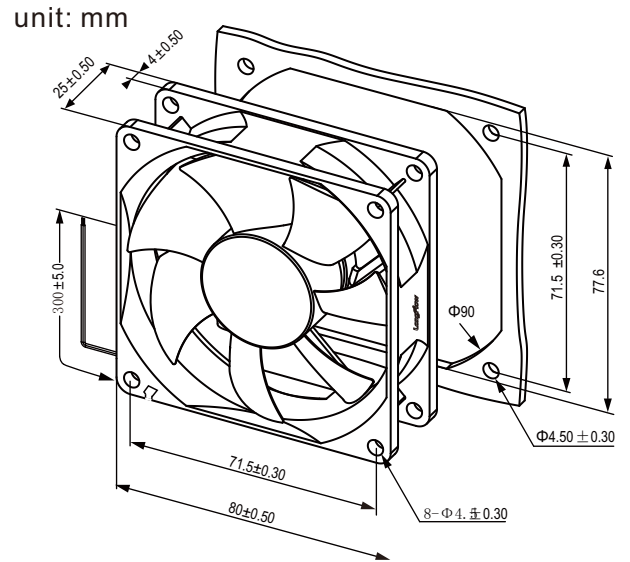
Frame : Plastic (UL94V-0)
 Impeller : Plastic (UL94V-0)
 Bearing&Expected Life:
 Sleeve Bearing 30,000hrs (40°C);
 Ball Bearing 70,000hrs (40°C)
 Lead Wire : UL1007AWG#24 or Equivalent (+) Red, (-) Black



PERFORMANCE CURVES



OUTLINE DRAWING



MODEL SPECIFICATIONS

Model	Rated Voltage	Operating Voltage	Input Current	Input Power	Speed	Max. Air Flow		Max. Air Pressure			Noise Level	Weight
	(V)	(V)	(A)	(W)	RPM	CFM	M ³ /MIN	mm H ₂ O	in H ₂ O	Pa	dBA	(G)
LFD8025NX12S	12	7.0-13.8	0.50	6.00	4000	54.14	1.53	6.35	0.25	62	40.0	58.0
LFD8025NX12H	12	7.0-13.8	0.40	4.80	3500	50.35	1.42	5.58	0.22	55	36.0	58.0
LFD8025NX12M	12	7.0-13.8	0.30	3.60	3000	39.98	1.13	3.55	0.14	35	31.0	58.0
LFD8025NX12L	12	7.0-13.8	0.20	2.40	2500	35.67	1.01	2.79	0.11	27	25.0	58.0
LFD8025NX12E	12	7.0-13.8	0.10	1.20	2000	27.39	0.78	1.78	0.07	17	22.0	58.0
LFD8025NX24S	24	14.0-27.6	0.40	9.60	4000	54.14	1.53	6.35	0.25	62	40.0	58.0
LFD8025NX24H	24	14.0-27.6	0.30	7.20	3500	50.35	1.42	5.58	0.22	55	36.0	58.0
LFD8025NX24M	24	14.0-27.6	0.20	4.80	3000	39.98	1.13	3.55	0.14	35	31.0	58.0
LFD8025NX24L	24	14.0-27.6	0.15	3.60	2500	35.67	1.01	2.79	0.11	27	25.0	58.0
LFD8025NX24E	24	14.0-27.6	0.10	2.40	2000	27.39	0.78	1.78	0.07	17	22.0	58.0
LFD8025NX48S	48	28.0-56.0	0.30	14.40	4000	54.14	1.53	6.35	0.25	62	40.0	58.0
LFD8025NX48H	48	28.0-56.0	0.25	12.00	3500	50.35	1.42	5.58	0.22	55	36.0	58.0
LFD8025NX48M	48	28.0-56.0	0.20	9.60	3000	39.98	1.13	3.55	0.14	35	31.0	58.0
LFD8025NX48L	48	28.0-56.0	0.15	7.20	2500	35.67	1.01	2.79	0.11	27	25.0	58.0

* X refers to bearing type and can be B or S (B: ball bearing; S: sleeve bearing)

80x80x38mm
3.15"x3.15"x1.50"

GENERAL SPECIFICATIONS

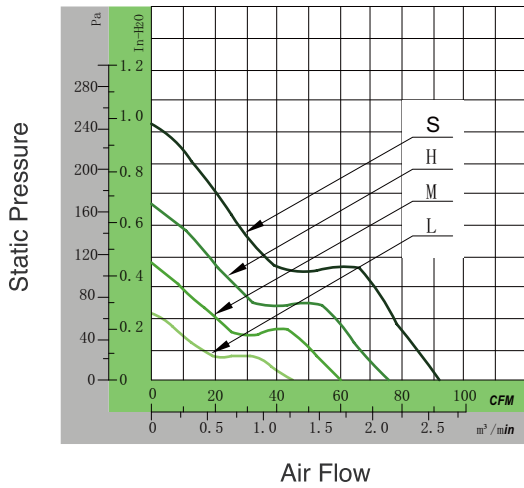
Motor Structure: Brushless DC Motor
 Motor Protection: Auto-Restart | Polarity Protection|Soft Start(Optional)
 Allowable Ambient Temperature Range:
 -10°C ~ +70°C (Operating)
 -40°C ~ +70°C (Storage)
 (non-condensing environment)
 Safety Standard: UL | TUV | ROHS | CE (Optional)
 Customized Fan Features: FG | RD | IP56|PWM (Optional)



MATERIAL

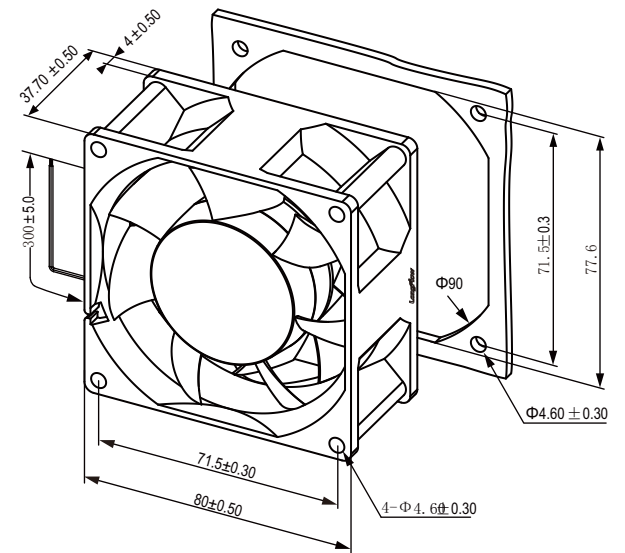
Frame : Plastic (UL94V-0)
 Impeller : Plastic (UL94V-0)
 Bearing&Expected Life:
 Ball Bearing 70,000hrs (40°C)
 Lead Wire : UL1007AWG#24 or Equivalent (+) Red, (-) Black

PERFORMANCE CURVES



OUTLINE DRAWING

unit: mm



MODEL SPECIFICATIONS

Model	Rated Voltage	Operating Voltage	Input Current	Input Power	Speed	Max. Air Flow		Max. Air Pressure			Noise Level	Weight
	(V)	(V)	(A)	(W)	RPM	CFM	M³/MIN	mm H ₂ O	in H ₂ O	Pa	dBA	(G)
LFD8038PB12S	12	7.0-13.8	1.50	18.00	6500	90.60	2.56	25.13	0.99	246	59.0	153.0
LFD8038PB12H	12	7.0-13.8	0.90	10.80	5500	74.46	2.11	17.26	0.68	169	53.0	153.0
LFD8038PB12M	12	7.0-13.8	0.60	7.20	4500	60.08	1.70	11.68	0.46	115	47.0	153.0
LFD8038PB12L	12	7.0-13.8	0.40	4.80	3500	45.11	1.28	6.60	0.26	65	43.0	153.0
LFD8038PB24S	24	14.0-27.6	0.80	19.20	6500	90.60	2.56	25.13	0.99	246	59.0	153.0
LFD8038PB24H	24	14.0-27.6	0.50	12.00	5500	74.46	2.11	17.26	0.68	169	53.0	153.0
LFD8038PB24M	24	14.0-27.6	0.30	7.20	4500	60.08	1.70	11.68	0.46	115	47.0	153.0
LFD8038PB24L	24	14.0-27.6	0.20	4.80	3500	45.11	1.28	6.60	0.26	65	43.0	153.0
LFD8038PB48S	48	28.0-56.0	0.50	24.00	6500	90.60	2.56	25.13	0.99	246	59.0	153.0
LFD8038PB48H	48	28.0-56.0	0.30	14.40	5500	74.46	2.11	17.26	0.68	169	53.0	153.0
LFD8038PB48M	48	28.0-56.0	0.20	9.60	4500	60.08	1.70	11.68	0.46	115	47.0	153.0
LFD8038PB48L	48	28.0-56.0	0.10	4.80	3500	45.11	1.28	6.60	0.26	65	43.0	153.0

92x92x25mm
3.62"x3.62"x1.00"

GENERAL SPECIFICATIONS

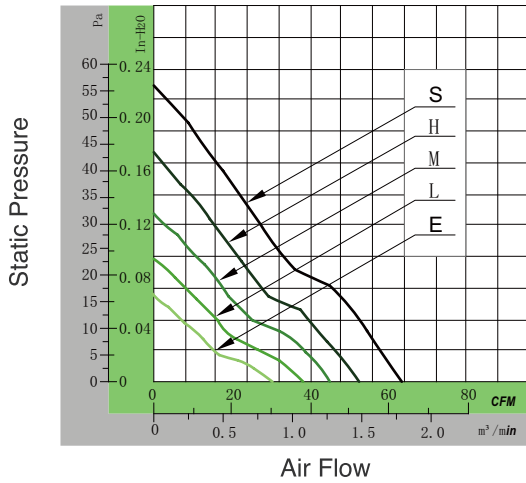
Motor Structure: Brushless DC Motor
 Motor Protection: Auto-Restart | Polarity Protection(Optional)
 Allowable Ambient Temperature Range:
 -10°C ~ +70°C (Operating)
 -40°C ~ +70°C (Storage)
 (non-condensing environment)
 Safety Standard: UL | TUV | ROHS | CE (Optional)
 Customized Fan Features: FG | RD | IP56|PWM (Optional)

MATERIAL

Frame : Plastic (UL94V-0)
 Impeller : Plastic (UL94V-0)
 Bearing&Expected Life:
 Sleeve Bearing 30,000hrs (40°C);
 Ball Bearing 70,000hrs (40°C)
 Lead Wire : UL1007AWG#24 or Equivalent (+) Red, (-) Black

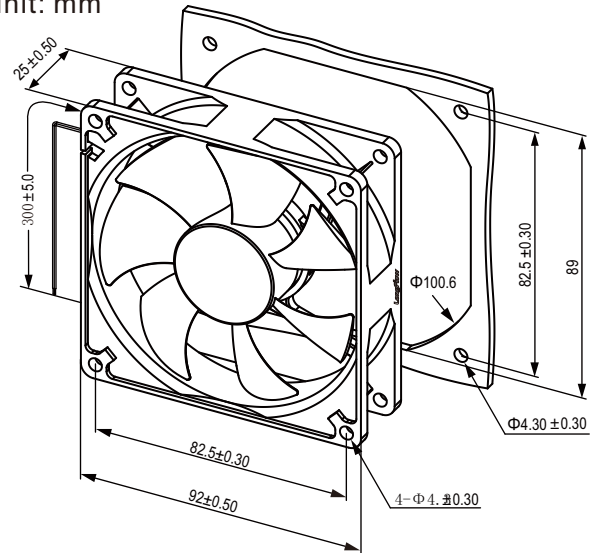


PERFORMANCE CURVES



OUTLINE DRAWING

unit: mm



MODEL SPECIFICATIONS

Model	Rated Voltage	Operating Voltage	Input Current	Input Power	Speed	Max. Air Flow		Max. Air Pressure			Noise Level	Weight
	(V)	(V)	(A)	(W)	RPM	CFM	M³/MIN	mm H ₂ O	in H ₂ O	Pa	dBA	(G)
LFD9225NX12S	12	7.0-13.8	0.60	7.20	4000	63.73	1.80	5.58	0.22	55	47.0	78.0
LFD9225NX12H	12	7.0-13.8	0.50	6.00	3500	54.98	1.56	4.57	0.18	45	41.0	78.0
LFD9225NX12M	12	7.0-13.8	0.40	4.80	3000	46.23	1.31	3.30	0.13	32	37.0	78.0
LFD9225NX12L	12	7.0-13.8	0.30	3.60	2500	37.93	1.07	2.28	0.09	22	31.0	78.0
LFD9225NX12E	12	7.0-13.8	0.20	2.40	2000	30.96	0.88	1.52	0.06	15	25.0	78.0
LFD9225NX24S	24	14.0-27.6	0.50	12.00	4000	63.73	1.80	5.58	0.22	55	47.0	78.0
LFD9225NX24H	24	14.0-27.6	0.40	9.60	3500	54.98	1.56	4.57	0.18	45	41.0	78.0
LFD9225NX24M	24	14.0-27.6	0.30	7.20	3000	46.23	1.31	3.30	0.13	32	37.0	78.0
LFD9225NX24L	24	14.0-27.6	0.20	4.80	2500	37.93	1.07	2.28	0.09	22	31.0	78.0
LFD9225NX24E	24	14.0-27.6	0.15	3.60	2000	30.96	0.88	1.52	0.06	15	25.0	78.0
LFD9225NX48S	48	28.0-56.0	0.40	19.20	4000	63.73	1.80	5.58	0.22	55	47.0	78.0
LFD9225NX48H	48	28.0-56.0	0.25	12.00	3500	54.98	1.56	4.57	0.18	45	41.0	78.0
LFD9225NX48M	48	28.0-56.0	0.20	9.60	3000	46.23	1.31	3.30	0.13	32	37.0	78.0
LFD9225NX48L	48	28.0-56.0	0.15	7.20	2500	37.93	1.07	2.28	0.09	22	31.0	78.0

* X refers to bearing type and can be B or S (B: ball bearing; S: sleeve bearing)

92x92x28mm
3.62"x3.62"x1.10"

GENERAL SPECIFICATIONS

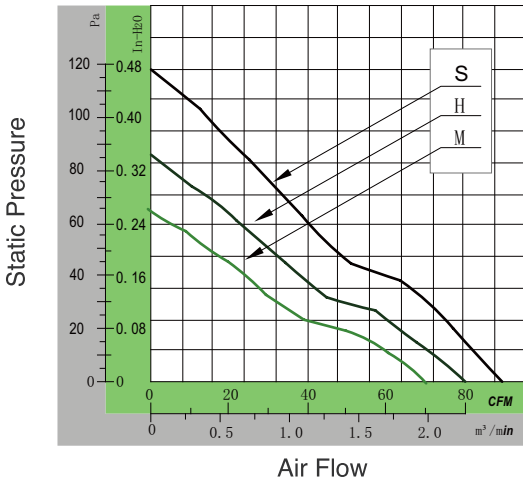
Motor Structure: Brushless DC Motor
 Motor Protection: Auto-Restart | Polarity Protection(Optional)
 Allowable Ambient Temperature Range:
 -10°C ~ +70°C (Operating)
 -40°C ~ +70°C (Storage)
 (non-condensing environment)
 Safety Standard: UL | TUV | ROHS | CE (Optional)
 Customized Fan Features: FG | RD | IP56|PWM (Optional)



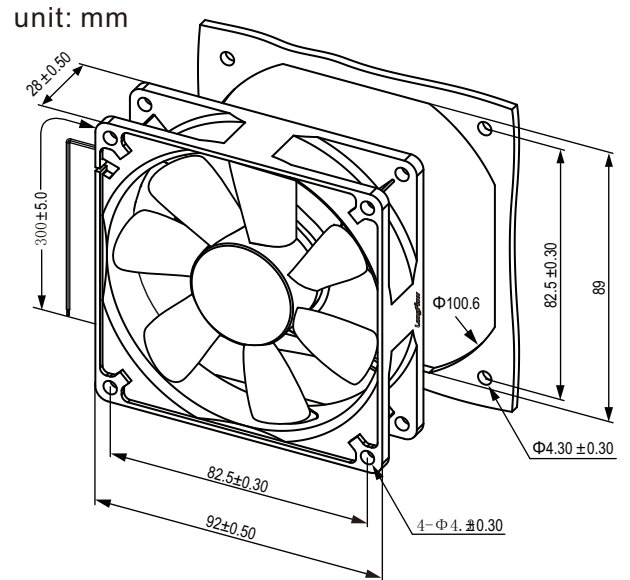
MATERIAL

Frame : Plastic (UL94V-0)
 Impeller : Plastic (UL94V-0)
 Bearing&Expected Life:
 Sleeve Bearing 30,000hrs (40°C);
 Ball Bearing 70,000hrs (40°C)
 Lead Wire : UL1007AWG#24 or Equivalent (+) Red, (-) Black

PERFORMANCE CURVES



OUTLINE DRAWING



MODEL SPECIFICATIONS

Model	Rated Voltage	Operating Voltage	Input Current	Input Power	Speed	Max. Air Flow		Max. Air Pressure			Noise Level	Weight
	(V)	(V)	(A)	(W)	RPM	CFM	M³/MIN	mm H ₂ O	in H ₂ O	Pa	dBA	(G)
LFD9228NX12S	12	7.0-13.8	0.60	7.20	4000	92.32	2.61	11.56	0.46	113	48.0	92.0
LFD9228NX12H	12	7.0-13.8	0.50	6.00	3500	80.50	2.28	8.82	0.35	87	44.0	92.0
LFD9228NX12M	12	7.0-13.8	0.30	3.60	3000	69.52	1.97	6.51	0.26	64	40.0	92.0
LFD9228NX24S	24	14.0-27.6	0.35	8.40	4000	92.32	2.61	11.56	0.46	113	48.0	92.0
LFD9228NX24H	24	14.0-27.6	0.28	6.72	3500	80.50	2.28	8.82	0.35	87	44.0	92.0
LFD9228NX24M	24	14.0-27.6	0.20	4.80	3000	69.52	1.97	6.51	0.26	64	40.0	92.0
LFD9228NX48S	48	28.0-56.0	0.18	8.64	4000	92.32	2.61	11.56	0.46	113	48.0	92.0
LFD9228NX48H	48	28.0-56.0	0.14	6.72	3500	80.50	2.28	8.82	0.35	87	44.0	92.0
LFD9228NX48M	48	28.0-56.0	0.10	4.80	3000	69.52	1.97	6.51	0.26	64	40.0	92.0

* X refers to bearing type and can be B or S (B: ball bearing; S: sleeve bearing)

92x92x38mm
3.62"x3.62"x1.50"

GENERAL SPECIFICATIONS

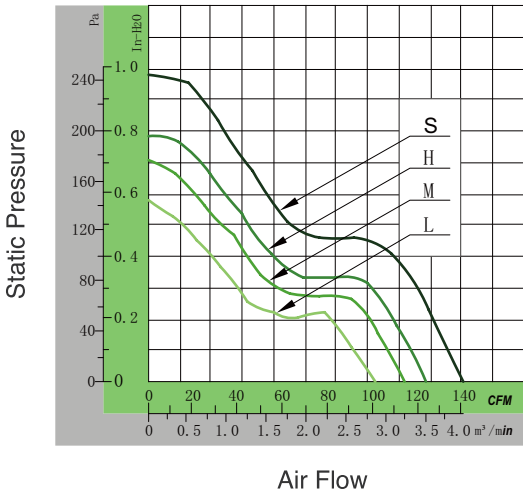
Motor Structure: Brushless DC Motor
 Motor Protection: Auto-Restart | Polarity Protection|Soft Start(Optional)
 Allowable Ambient Temperature Range:
 -10°C ~ +70°C (Operating)
 -40°C ~ +70°C (Storage)
 (non-condensing environment)
 Safety Standard: UL | TUV | ROHS | CE (Optional)
 Customized Fan Features: FG | RD | IP56|PWM (Optional)

MATERIAL

Frame : Plastic (UL94V-0)
 Impeller : Plastic (UL94V-0)
 Bearing&Expected Life:
 Ball Bearing 70,000hrs (40°C)
 Lead Wire : UL1007AWG#24 or Equivalent (+) Red, (-) Black

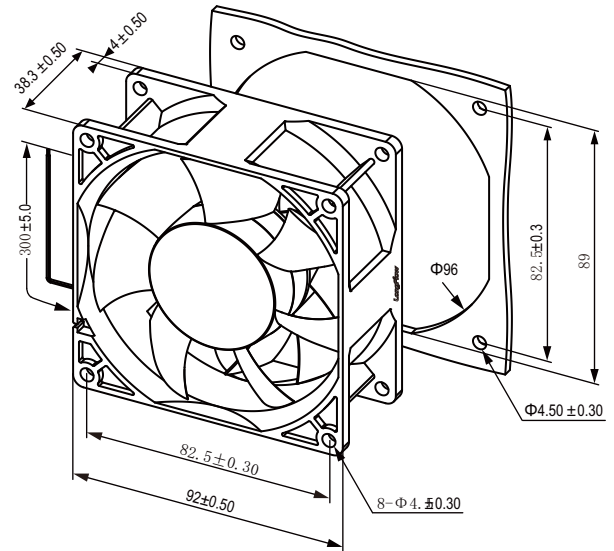


PERFORMANCE CURVES



OUTLINE DRAWING

unit: mm



MODEL SPECIFICATIONS

Model	Rated Voltage	Operating Voltage	Input Current	Input Power	Speed	Max. Air Flow		Max. Air Pressure			Noise Level	Weight
	(V)	(V)	(A)	(W)	RPM	CFM	M³/MIN	mm H ₂ O	in H ₂ O	Pa	dBA	(G)
LFD9238PB12S	12	7.0-13.8	2.50	30.00	6000	139.87	3.96	24.37	0.96	239	61.0	166.0
LFD9238PB12H	12	7.0-13.8	1.80	21.60	5500	124.56	3.53	20.05	0.79	197	56.0	166.0
LFD9238PB12M	12	7.0-13.8	1.20	14.40	5000	115.09	3.26	18.02	0.71	177	50.0	166.0
LFD9238PB12L	12	7.0-13.8	0.90	10.80	4500	102.73	2.91	14.72	0.58	144	45.0	166.0
LFD9238PB24S	24	14.0-27.6	1.50	36.00	6000	139.87	3.96	24.37	0.96	239	61.0	166.0
LFD9238PB24H	24	14.0-27.6	1.00	24.00	5500	124.56	3.53	20.05	0.79	197	56.0	166.0
LFD9238PB24M	24	14.0-27.6	0.80	19.20	5000	115.09	3.26	18.02	0.71	177	50.0	166.0
LFD9238PB24L	24	14.0-27.6	0.60	14.40	4500	102.73	2.91	14.72	0.58	144	45.0	166.0
LFD9238PB48S	48	28.0-56.0	0.80	38.40	6000	139.87	3.96	24.37	0.96	239	61.0	166.0
LFD9238PB48H	48	28.0-56.0	0.60	28.80	5500	124.56	3.53	20.05	0.79	197	56.0	166.0
LFD9238PB48M	48	28.0-56.0	0.40	19.20	5000	115.09	3.26	18.02	0.71	177	50.0	166.0
LFD9238PB48L	48	28.0-56.0	0.30	14.40	4500	102.73	2.91	14.72	0.58	144	45.0	166.0

120x120x25mm
4.72"x4.72"x1.00"

GENERAL SPECIFICATIONS

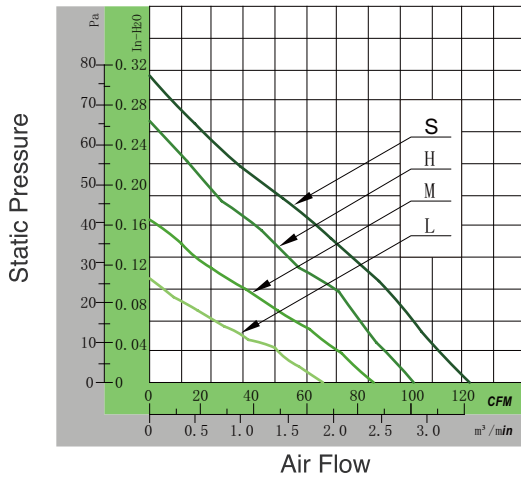
Motor Structure: Brushless DC Motor
 Motor Protection: Auto-Restart | Polarity Protection(Optional)
 Allowable Ambient Temperature Range:
 -10°C ~ +70°C (Operating)
 -40°C ~ +70°C (Storage)
 (non-condensing environment)
 Safety Standard: UL | TUV | ROHS | CE (Optional)
 Customized Fan Features: FG | RD | IP56|PWM (Optional)

MATERIAL

Frame : Plastic (UL94V-0)
 Impeller : Plastic (UL94V-0)
 Bearing&Expected Life:
 Sleeve Bearing 30,000hrs (40°C);
 Ball Bearing 70,000hrs (40°C)
 Lead Wire : UL1007AWG#24 or Equivalent (+) Red, (-) Black

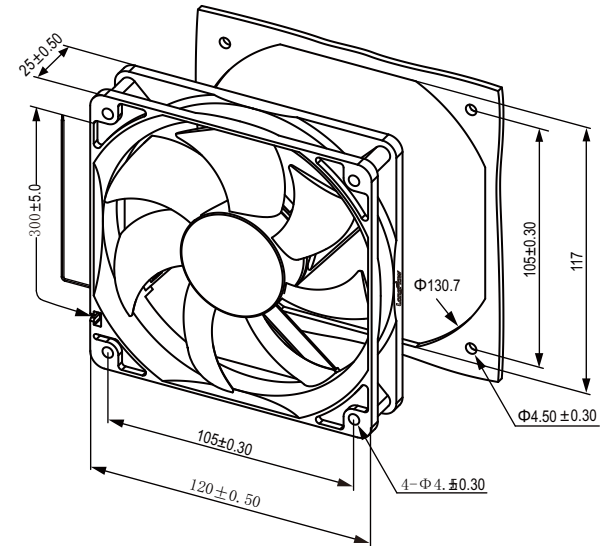


PERFORMANCE CURVES



OUTLINE DRAWING

unit: mm



MODEL SPECIFICATIONS

Model	Rated Voltage	Operating Voltage	Input Current	Input Power	Speed	Max. Air Flow		Max. Air Pressure			Noise Level	Weight
	(V)	(V)	(A)	(W)	RPM	CFM	M ³ /MIN	mm H ₂ O	in H ₂ O	Pa	dBA	(G)
LFD1225NX12S	12	7.0-13.8	0.80	9.60	3500	122.12	3.46	7.87	0.31	77	49.0	140.0
LFD1225NX12H	12	7.0-13.8	0.50	6.00	3000	103.92	2.94	6.09	0.24	60	44.0	140.0
LFD1225NX12M	12	7.0-13.8	0.40	4.80	2500	86.65	2.45	4.57	0.18	45	39.0	140.0
LFD1225NX12L	12	7.0-13.8	0.20	2.40	2000	67.01	1.90	2.54	0.10	25	35.0	140.0
LFD1225NX24S	24	14.0-27.6	0.50	12.00	3500	122.12	3.46	7.87	0.31	77	49.0	140.0
LFD1225NX24H	24	14.0-27.6	0.40	9.60	3000	103.92	2.94	6.09	0.24	60	44.0	140.0
LFD1225NX24M	24	14.0-27.6	0.25	6.00	2500	86.65	2.45	4.57	0.18	45	39.0	140.0
LFD1225NX24L	24	14.0-27.6	0.15	3.60	2000	67.01	1.90	2.54	0.10	25	35.0	140.0
LFD1225NX48S	48	28.0-56.0	0.40	19.20	3500	122.12	3.46	7.87	0.31	77	49.0	140.0
LFD1225NX48H	48	28.0-56.0	0.30	14.40	3000	103.92	2.94	6.09	0.24	60	44.0	140.0
LFD1225NX48M	48	28.0-56.0	0.20	9.60	2500	86.65	2.45	4.57	0.18	45	39.0	140.0
LFD1225NX48L	48	28.0-56.0	0.10	4.80	2000	67.01	1.90	2.54	0.10	25	35.0	140.0

* X refers to bearing type and can be B or S (B: ball bearing; S: sleeve bearing)

120x120x38mm
4.72"x4.72"x1.50"

GENERAL SPECIFICATIONS

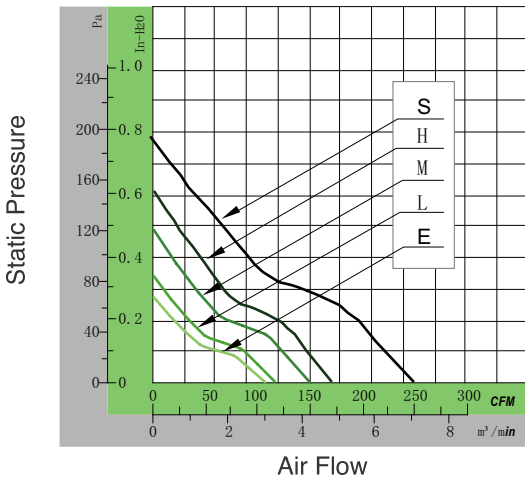
Motor Structure: Brushless DC Motor
 Motor Protection: Auto-Restart | Polarity Protection|Soft Start(Optional)
 Allowable Ambient Temperature Range:
 -10°C ~ +70°C (Operating)
 -40°C ~ +70°C (Storage)
 (non-condensing environment)
 Safety Standard: UL | TUV | ROHS | CE (Optional)
 Customized Fan Features: FG | RD | IP56|PWM (Optional)

MATERIAL

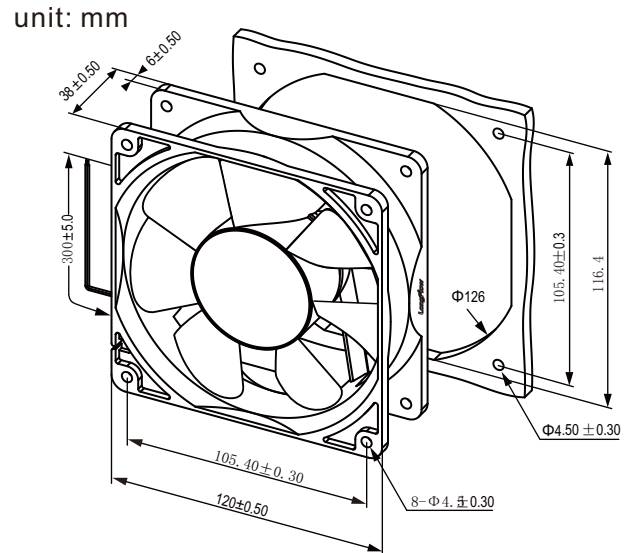
Frame : Plastic (UL94V-0)
 Impeller : Plastic (UL94V-0)
 Bearing&Expected Life:
 Sleeve Bearing 30,000hrs (40°C);
 Ball Bearing 70,000hrs (40°C)
 Lead Wire : UL1007AWG#24 or Equivalent (+) Red, (-) Black



PERFORMANCE CURVES



OUTLINE DRAWING



MODEL SPECIFICATIONS

Model	Rated Voltage	Operating Voltage	Input Current	Input Power	Speed	Max. Air Flow		Max. Air Pressure			Noise Level	Weight
	(V)	(V)	(A)	(W)	RPM	CFM	M ³ /MIN	mm H ₂ O	in H ₂ O	Pa	dBA	(G)
LFD1238NB12S	12	7.0-13.8	2.00	24.00	5000	260.00	7.36	18.78	0.74	184	62.0	262.0
LFD1238NX12H	12	7.0-13.8	1.50	18.00	4000	165.05	4.67	15.23	0.60	149	58.0	262.0
LFD1238NX12M	12	7.0-13.8	1.00	12.00	3500	144.21	4.08	12.69	0.50	124	53.0	262.0
LFD1238NX12L	12	7.0-13.8	0.60	7.20	3000	115.29	3.26	8.63	0.34	85	48.0	262.0
LFD1238NX12E	12	7.0-13.8	0.40	4.80	2500	101.85	2.88	6.60	0.26	65	40.0	262.0
LFD1238NB24S	24	14.0-27.6	1.50	36.00	5000	260.00	7.36	18.78	0.74	184	62.0	262.0
LFD1238NX24H	24	14.0-27.6	1.00	24.00	4000	165.05	4.67	15.23	0.60	149	58.0	262.0
LFD1238NX24M	24	14.0-27.6	0.60	14.40	3500	144.21	4.08	12.69	0.50	124	53.0	262.0
LFD1238NX24L	24	14.0-27.6	0.40	9.60	3000	115.29	3.26	8.63	0.34	85	48.0	262.0
LFD1238NX24E	24	14.0-27.6	0.20	4.80	2500	101.85	2.88	6.60	0.26	65	40.0	262.0
LFD1238NB48S	48	28.0-56.0	1.00	48.00	5000	260.00	7.36	18.78	0.74	184	62.0	262.0
LFD1238NX48H	48	28.0-56.0	0.60	28.80	4000	165.05	4.67	15.23	0.60	149	58.0	262.0
LFD1238NX48M	48	28.0-56.0	0.40	19.20	3500	144.21	4.08	12.69	0.50	124	53.0	262.0
LFD1238NX48L	48	28.0-56.0	0.20	9.60	3000	115.29	3.26	8.63	0.34	85	48.0	262.0
LFD1238NX48E	48	28.0-56.0	0.12	5.76	2500	101.85	2.88	6.60	0.26	65	40.0	262.0

* X refers to bearing type and can be B or S (B: ball bearing; S: sleeve bearing)

120x120x38mm
4.72"x4.72"x1.50"

GENERAL SPECIFICATIONS

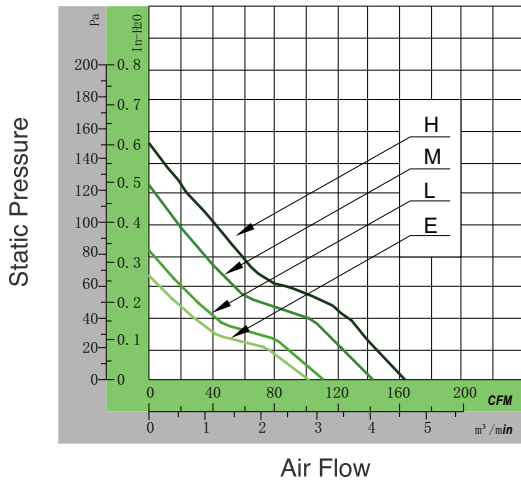
Motor Structure: Brushless DC Motor
 Motor Protection: Auto-Restart | Polarity Protection|Soft Start(Optional)
 Allowable Ambient Temperature Range:
 -10°C ~ +70°C (Operating)
 -40°C ~ +70°C (Storage)
 (non-condensing environment)
 Safety Standard: UL | TUV | ROHS | CE (Optional)
 Customized Fan Features: FG | RD | IP56|PWM (Optional)

MATERIAL

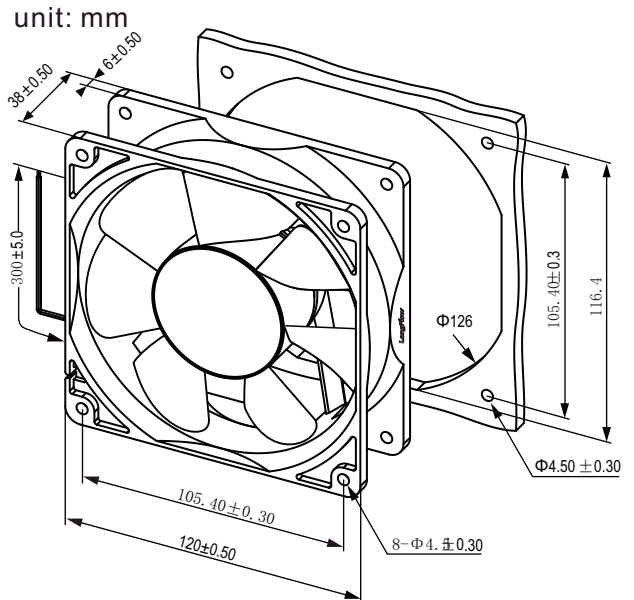
Frame : Aluminum Alloy
 Impeller : Plastic (UL94V-0)
 Bearing&Expected Life:
 Ball Bearing 70,000hrs (40°C)
 Lead Wire : UL1007AWG#24 or Equivalent (+) Red, (-) Black



PERFORMANCE CURVES



OUTLINE DRAWING



MODEL SPECIFICATIONS

Model	Rated Voltage	Operating Voltage	Input Current	Input Power	Speed	Max. Air Flow		Max. Air Pressure			Noise Level	Weight
	(V)	(V)	(A)	(W)	RPM	CFM	M³/MIN	mm H ₂ O	in H ₂ O	Pa	dBA	(G)
LFD1238AB12H	12	7.0-13.8	1.50	18.00	4000	165.05	4.67	15.23	0.60	149	58.0	272.0
LFD1238AB12M	12	7.0-13.8	1.00	12.00	3500	144.21	4.08	12.69	0.50	124	53.0	272.0
LFD1238AB12L	12	7.0-13.8	0.60	7.20	3000	115.29	3.26	8.63	0.34	85	48.0	272.0
LFD1238AB12E	12	7.0-13.8	0.40	4.80	2500	101.85	2.88	6.60	0.26	65	40.0	272.0
LFD1238AB24H	24	14.0-27.6	1.00	24.00	4000	165.05	4.67	15.23	0.60	149	58.0	272.0
LFD1238AB24M	24	14.0-27.6	0.60	14.40	3500	144.21	4.08	12.69	0.50	124	53.0	272.0
LFD1238AB24L	24	14.0-27.6	0.40	9.60	3000	115.29	3.26	8.63	0.34	85	48.0	272.0
LFD1238AB24E	24	14.0-27.6	0.20	4.80	2500	101.85	2.88	6.60	0.26	65	40.0	272.0
LFD1238AB48H	48	28.0-56.0	0.60	28.80	4000	165.05	4.67	15.23	0.60	149	58.0	272.0
LFD1238AB48M	48	28.0-56.0	0.40	19.20	3500	144.21	4.08	12.69	0.50	124	53.0	272.0
LFD1238AB48L	48	28.0-56.0	0.20	9.60	3000	115.29	3.26	8.63	0.34	85	48.0	272.0
LFD1238AB48E	48	28.0-56.0	0.12	5.76	2500	101.85	2.88	6.60	0.26	65	40.0	272.0

120x120x38mm
4.72"x4.72"x1.50"

GENERAL SPECIFICATIONS

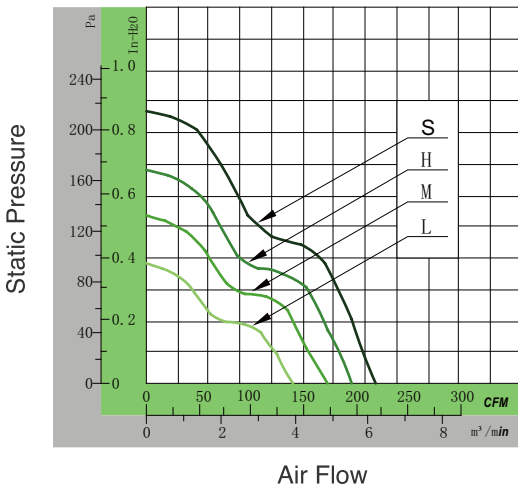
Motor Structure: Brushless DC Motor
 Motor Protection: Auto-Restart | Polarity Protection|Soft Start
 Allowable Ambient Temperature Range:
 -10°C ~ +70°C (Operating)
 -40°C ~ +70°C (Storage)
 (non-condensing environment)
 Safety Standard: UL | TUV | ROHS | CE (Optional)
 Customized Fan Features: FG | RD | IP56|PWM (Optional)

MATERIAL

Frame : Plastic (UL94V-0)
 Impeller : Plastic (UL94V-0)
 Bearing&Expected Life:
 Ball Bearing 70,000hrs (40°C)
 Lead Wire : UL1007AWG#24 or Equivalent (+) Red, (-) Black

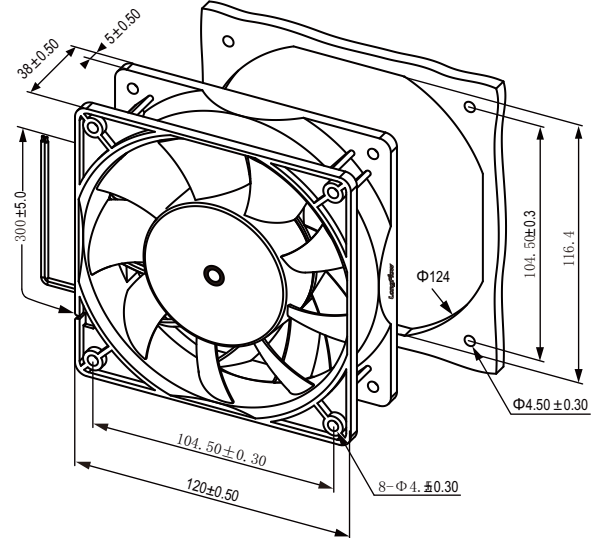


PERFORMANCE CURVES



OUTLINE DRAWING

unit: mm



MODEL SPECIFICATIONS

Model	Rated Voltage	Operating Voltage	Input Current	Input Power	Speed	Max. Air Flow		Max. Air Pressure			Noise Level	Weight
	(V)	(V)	(A)	(W)		CFM	M ³ /MIN	mm H ₂ O	in H ₂ O	Pa	dBA	
LFD1238PB12S	12	7.0-13.8	3.30	39.60	4500	222.31	6.29	21.83	0.86	214	64.0	289.0
LFD1238PB12H	12	7.0-13.8	2.50	30.00	4000	193.50	5.48	17.01	0.67	167	60.0	289.0
LFD1238PB12M	12	7.0-13.8	1.60	19.20	3500	173.33	4.91	13.71	0.54	134	55.0	289.0
LFD1238PB12L	12	7.0-13.8	1.00	12.00	3000	145.98	4.13	9.90	0.39	97	50.0	289.0
LFD1238PB24S	24	14.0-27.6	2.00	48.00	4500	222.31	6.29	21.83	0.86	214	64.0	289.0
LFD1238PB24H	24	14.0-27.6	1.00	24.00	4000	193.50	5.48	17.01	0.67	167	60.0	289.0
LFD1238PB24M	24	14.0-27.6	0.70	16.80	3500	173.33	4.91	13.71	0.54	134	55.0	289.0
LFD1238PB24L	24	14.0-27.6	0.50	12.00	3000	145.98	4.13	9.90	0.39	97	50.0	289.0
LFD1238PB48S	48	28.0-56.0	1.00	48.00	4500	222.31	6.29	21.83	0.86	214	64.0	289.0
LFD1238PB48H	48	28.0-56.0	0.60	28.80	4000	193.50	5.48	17.01	0.67	167	60.0	289.0
LFD1238PB48M	48	28.0-56.0	0.50	24.00	3500	173.33	4.91	13.71	0.54	134	55.0	289.0
LFD1238PB48L	48	28.0-56.0	0.40	19.20	3000	145.98	4.13	9.90	0.39	97	50.0	289.0

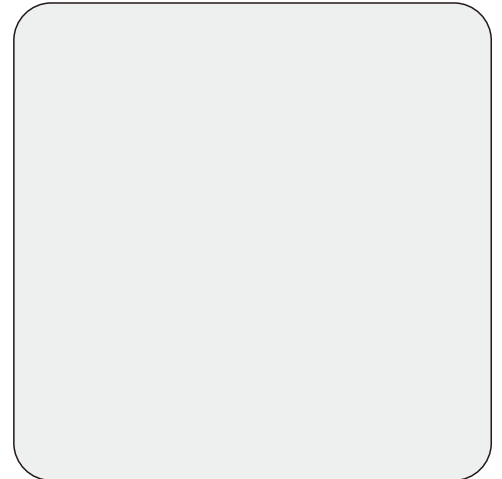
120x120x38mm
4.72"x4.72"x1.50"

GENERAL SPECIFICATIONS

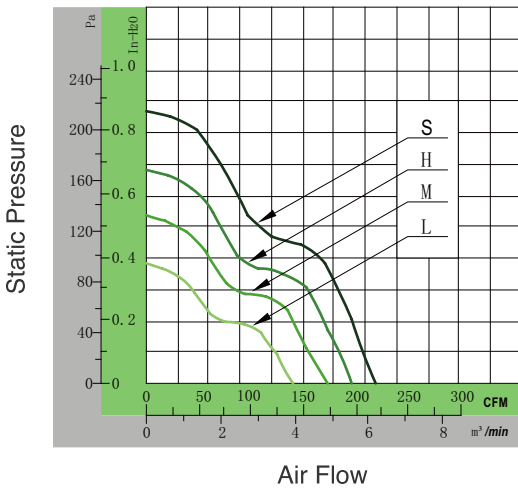
Motor Structure: Brushless DC Motor
 Motor Protection:
 Auto-Restart | Polarity Protection|Soft Start(Optional)
 Allowable Ambient Temperature Range:
 -10°C ~ +70°C (Operating)
 -40°C ~ +70°C (Storage)
 (non-condensing environment)
 Safety Standard: UL | TUV | ROHS | CE (Optional)
 Customized Fan Features: FG | RD | IP56|PWM (Optional)

MATERIAL

Frame : Plastic (UL94V-0)
 Impeller : Plastic (UL94V-0)
 Bearing&Expected Life:
 Ball Bearing 70,000hrs (40°C)
 Lead Wire : UL1007AWG#24 or Equivalent (+) Red, (-) Black

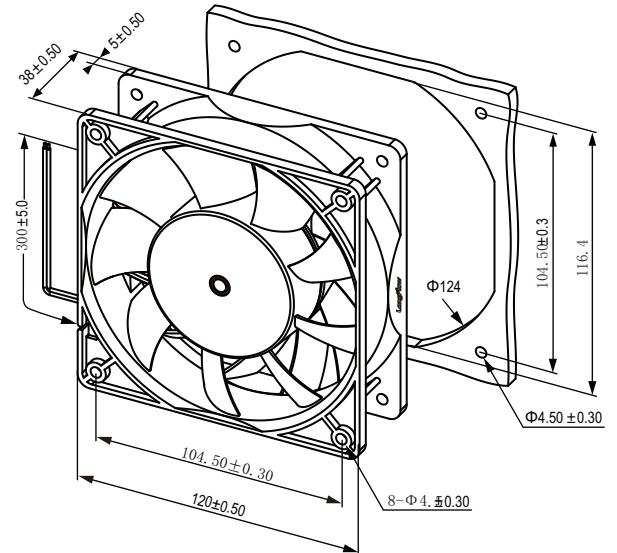


PERFORMANCE CURVES



OUTLINE DRAWING

unit: mm



MODEL SPECIFICATIONS

Model	Rated Voltage	Operating Voltage	Input Current	Input Power	Speed RPM	Max. Air Flow		Max. Air Pressure			Noise Level	Weight (G)
	(V)	(V)	(A)	(W)		CFM	M ³ /MIN	mm H ₂ O	in H ₂ O	Pa	dBA	
LFD1238PB12S	12	7.0-13.8	3.30	39.60	4500	222.31	6.29	21.83	0.86	214	64.0	289.0
LFD1238PB12H	12	7.0-13.8	2.50	30.00	4000	193.50	5.48	17.01	0.67	167	60.0	289.0
LFD1238PB12M	12	7.0-13.8	1.60	19.20	3500	173.33	4.91	13.71	0.54	134	55.0	289.0
LFD1238PB12L	12	7.0-13.8	1.00	12.00	3000	145.98	4.13	9.90	0.39	97	50.0	289.0
LFD1238PB24S	24	14.0-27.6	2.00	48.00	4500	222.31	6.29	21.83	0.86	214	64.0	289.0
LFD1238PB24H	24	14.0-27.6	1.00	24.00	4000	193.50	5.48	17.01	0.67	167	60.0	289.0
LFD1238PB24M	24	14.0-27.6	0.70	16.80	3500	173.33	4.91	13.71	0.54	134	55.0	289.0
LFD1238PB24L	24	14.0-27.6	0.50	12.00	3000	145.98	4.13	9.90	0.39	97	50.0	289.0
LFD1238PB48S	48	28.0-56.0	1.00	48.00	4500	222.31	6.29	21.83	0.86	214	64.0	289.0
LFD1238PB48H	48	28.0-56.0	0.60	28.80	4000	193.50	5.48	17.01	0.67	167	60.0	289.0
LFD1238PB48M	48	28.0-56.0	0.50	24.00	3500	173.33	4.91	13.71	0.54	134	55.0	289.0
LFD1238PB48L	48	28.0-56.0	0.40	19.20	3000	145.98	4.13	9.90	0.39	97	50.0	289.0

150x150x51mm
6.00"x6.00"x2.00"

GENERAL SPECIFICATIONS

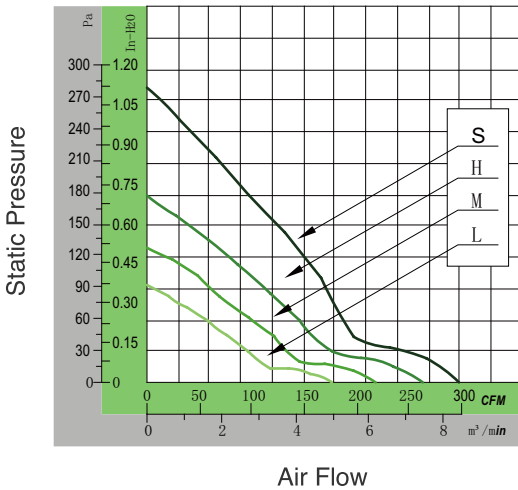
Motor Structure: Brushless DC Motor
 Motor Protection:
 Auto-Restart | Polarity Protection|Soft Start
 Allowable Ambient Temperature Range:
 -10°C ~ +70°C (Operating)
 -40°C ~ +70°C (Storage)
 (non-condensing environment)
 Safety Standard: UL | TUV | ROHS | CE (Optional)
 Customized Fan Features: FG | RD | IP56|PWM (Optional)

MATERIAL

Frame : Aluminum Alloy
 Impeller : Plastic (UL94V-0)
 Bearing&Expected Life:
 Ball Bearing 70,000hrs (40°C)
 Lead Wire : UL1007AWG#24 or Equivalent (+) Red, (-) Black

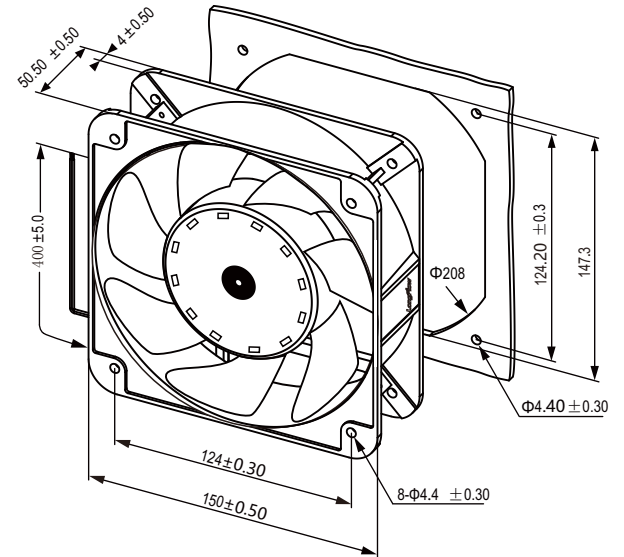


PERFORMANCE CURVES



OUTLINE DRAWING

unit: mm



MODEL SPECIFICATIONS

Model	Rated Voltage	Operating Voltage	Input Current	Input Power	Speed	Max. Air Flow		Max. Air Pressure			Noise Level	Weight
	(V)	(V)	(A)	(W)	RPM	CFM	M ³ /MIN	mm H ₂ O	in H ₂ O	Pa	dBA	(G)
LFD1551AB12S	12	7.0-13.8	3.00	36.00	4000	305.29	8.64	28.93	1.14	284	67.0	740.0
LFD1551AB12H	12	7.0-13.8	2.00	24.00	3500	257.88	7.30	18.02	0.71	177	59.0	740.0
LFD1551AB12M	12	7.0-13.8	1.50	18.00	3000	220.85	6.25	13.20	0.52	129	51.0	740.0
LFD1551AB12L	12	7.0-13.8	1.00	12.00	2500	185.24	5.24	9.39	0.37	92	44.0	740.0
LFD1551AB24S	24	14.0-27.6	1.50	36.00	4000	305.29	8.64	28.93	1.14	284	67.0	740.0
LFD1551AB24H	24	14.0-27.6	1.00	24.00	3500	257.88	7.30	18.02	0.71	177	59.0	740.0
LFD1551AB24M	24	14.0-27.6	0.70	16.80	3000	220.85	6.25	13.20	0.52	129	51.0	740.0
LFD1551AB24L	24	14.0-27.6	0.50	12.00	2500	185.24	5.24	9.39	0.37	92	44.0	740.0
LFD1551AB48S	48	28.0-56.0	0.80	38.40	4000	305.29	8.64	28.93	1.14	284	67.0	740.0
LFD1551AB48H	48	28.0-56.0	0.60	28.80	3500	257.88	7.30	18.02	0.71	177	59.0	740.0
LFD1551AB48M	48	28.0-56.0	0.50	24.00	3000	220.85	6.25	13.20	0.52	129	51.0	740.0
LFD1551AB48L	48	28.0-56.0	0.40	19.20	2500	185.24	5.24	9.39	0.37	92	44.0	740.0

172x150x51mm
6.80"x6.00"x2.00"

GENERAL SPECIFICATIONS

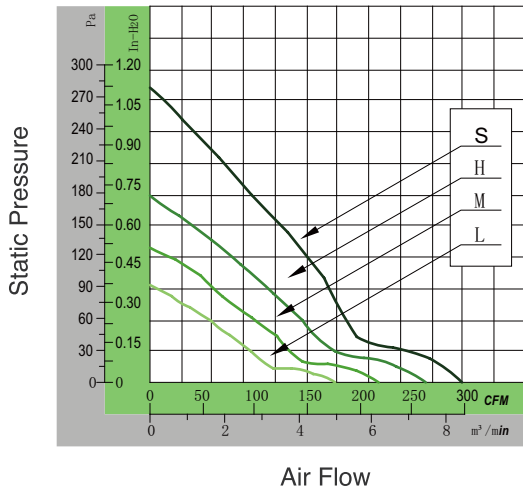
Motor Structure: Brushless DC Motor
 Motor Protection:
 Auto-Restart | Polarity Protection|Soft Start(Optional)
 Allowable Ambient Temperature Range:
 -10°C ~ +70°C (Operating)
 -40°C ~ +70°C (Storage)
 (non-condensing environment)
 Safety Standard: UL | TUV | ROHS | CE (Optional)
 Customized Fan Features: FG | RD | IP56|PWM (Optional)



MATERIAL

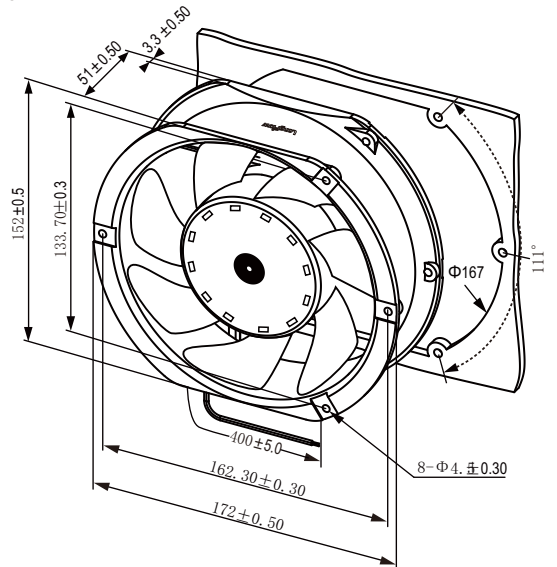
Frame : Aluminum Alloy
 Impeller : Plastic (UL94V-0)
 Bearing&Expected Life:
 Ball Bearing 70,000hrs (40°C)
 Lead Wire : UL1007AWG#22 or Equivalent (+) Red, (-) Black

PERFORMANCE CURVES



OUTLINE DRAWING

unit: mm



MODEL SPECIFICATIONS

Model	Rated Voltage	Operating Voltage	Input Current	Input Power	Speed	Max. Air Flow		Max. Air Pressure			Noise Level	Weight
	(V)	(V)	(A)	(W)	RPM	CFM	M ³ /MIN	mm H ₂ O	in H ₂ O	Pa	dBA	(G)
LFD1751AB12S	12	7.0-13.8	3.00	36.00	4000	305.29	8.64	28.93	1.14	284	67.0	740.0
LFD1751AB12H	12	7.0-13.8	2.00	24.00	3500	257.88	7.30	18.02	0.71	177	59.0	740.0
LFD1751AB12M	12	7.0-13.8	1.50	18.00	3000	220.85	6.25	13.20	0.52	129	51.0	740.0
LFD1751AB12L	12	7.0-13.8	1.00	12.00	2500	185.24	5.24	9.39	0.37	92	44.0	740.0
LFD1751AB24S	24	14.0-27.6	1.50	36.00	4000	305.29	8.64	28.93	1.14	284	67.0	740.0
LFD1751AB24H	24	14.0-27.6	1.00	24.00	3500	257.88	7.30	18.02	0.71	177	59.0	740.0
LFD1751AB24M	24	14.0-27.6	0.70	16.80	3000	220.85	6.25	13.20	0.52	129	51.0	740.0
LFD1751AB24L	24	14.0-27.6	0.50	12.00	2500	185.24	5.24	9.39	0.37	92	44.0	740.0
LFD1751AB48S	48	28.0-56.0	0.80	38.40	4000	305.29	8.64	28.93	1.14	284	67.0	740.0
LFD1751AB48H	48	28.0-56.0	0.60	28.80	3500	257.88	7.30	18.02	0.71	177	59.0	740.0
LFD1751AB48M	48	28.0-56.0	0.50	24.00	3000	220.85	6.25	13.20	0.52	129	51.0	740.0
LFD1751AB48L	48	28.0-56.0	0.40	19.20	2500	185.24	5.24	9.39	0.37	92	44.0	740.0

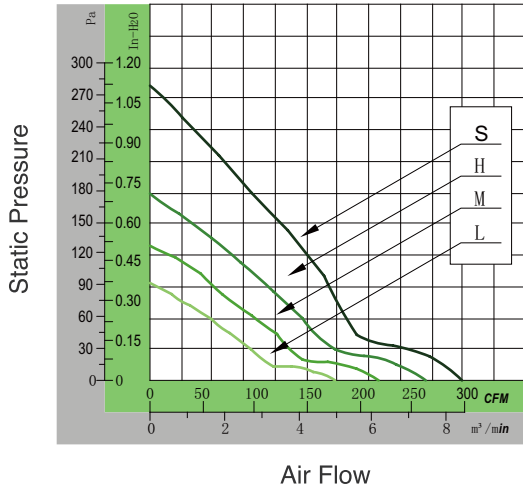
GENERAL SPECIFICATIONS

Motor Structure: Brushless DC Motor
 Motor Protection:
 Auto-Restart | Polarity Protection|Soft Start(Optional)
 Allowable Ambient Temperature Range:
 -10°C ~ +70°C (Operating)
 -40°C ~ +70°C (Storage)
 (non-condensing environment)
 Safety Standard: UL | TUV | ROHS | CE (Optional)
 Customized Fan Features: FG | RD | IP56|PWM (Optional)

MATERIAL

Frame : Aluminum Alloy
 Impeller : Plastic (UL94V-0)
 Bearing&Expected Life:
 Ball Bearing 70,000hrs (40°C)
 Lead Wire : UL1007AWG#22 or Equivalent (+) Red, (-) Black

PERFORMANCE CURVES



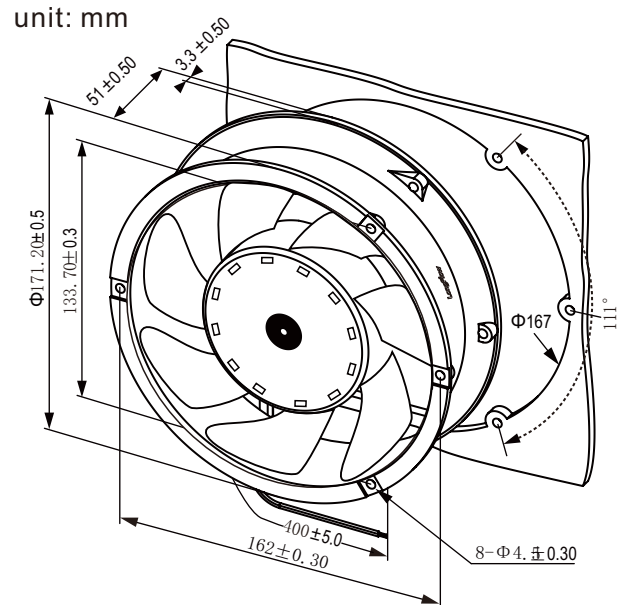
MODEL SPECIFICATIONS

Model	Rated Voltage	Operating Voltage	Input Current	Input Power	Speed	Max. Air Flow		Max. Air Pressure			Noise Level	Weight
	(V)	(V)	(A)	(W)	RPM	CFM	M³/MIN	mm H ₂ O	in H ₂ O	Pa	dBA	(G)
LFD1725AB12S	12	7.0-13.8	3.00	36.00	4000	305.29	8.64	28.93	1.14	284	67.0	740.0
LFD1725AB12H	12	7.0-13.8	2.00	24.00	3500	257.88	7.30	18.02	0.71	177	59.0	740.0
LFD1725AB12M	12	7.0-13.8	1.50	18.00	3000	220.85	6.25	13.20	0.52	129	51.0	740.0
LFD1725AB12L	12	7.0-13.8	1.00	12.00	2500	185.24	5.24	9.39	0.37	92	44.0	740.0
LFD1725AB24S	24	14.0-27.6	1.50	36.00	4000	305.29	8.64	28.93	1.14	284	67.0	740.0
LFD1725AB24H	24	14.0-27.6	1.00	24.00	3500	257.88	7.30	18.02	0.71	177	59.0	740.0
LFD1725AB24M	24	14.0-27.6	0.70	16.80	3000	220.85	6.25	13.20	0.52	129	51.0	740.0
LFD1725AB24L	24	14.0-27.6	0.50	12.00	2500	185.24	5.24	9.39	0.37	92	44.0	740.0
LFD1725AB48S	48	28.0-56.0	0.80	38.40	4000	305.29	8.64	28.93	1.14	284	67.0	740.0
LFD1725AB48H	48	28.0-56.0	0.60	28.80	3500	257.88	7.30	18.02	0.71	177	59.0	740.0
LFD1725AB48M	48	28.0-56.0	0.50	24.00	3000	220.85	6.25	13.20	0.52	129	51.0	740.0
LFD1725AB48L	48	28.0-56.0	0.40	19.20	2500	185.24	5.24	9.39	0.37	92	44.0	740.0

Φ172x51mm
Φ6.80"x2.00"



OUTLINE DRAWING



200x200x60mm
8.00"x8.00"x2.36"

GENERAL SPECIFICATIONS

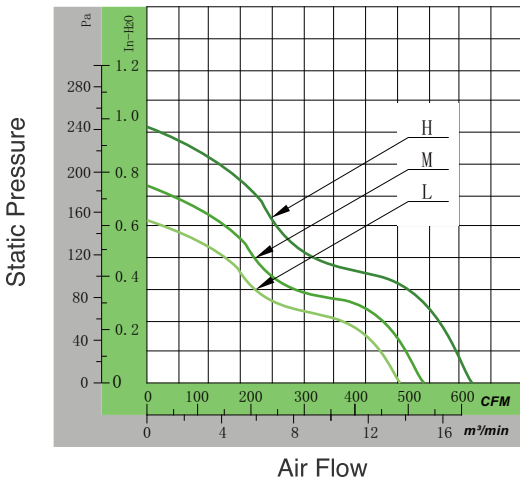
Motor Structure: Brushless DC Motor
 Motor Protection: Auto-Restart | Polarity Protection|Soft Start
 Allowable Ambient Temperature Range:
 -10°C ~ +70°C (Operating)
 -40°C ~ +70°C (Storage)
 (non-condensing environment)
 Safety Standard: UL | TUV | ROHS | CE (Optional)
 Customized Fan Features: FG | RD | IP56|PWM (Optional)

MATERIAL

Frame : Aluminum Alloy
 Impeller : Plastic (UL94V-0)
 Bearing&Expected Life:
 Ball Bearing 70,000hrs (40°C)
 Lead Wire : UL1007AWG#22 or Equivalent (+) Red, (-) Black

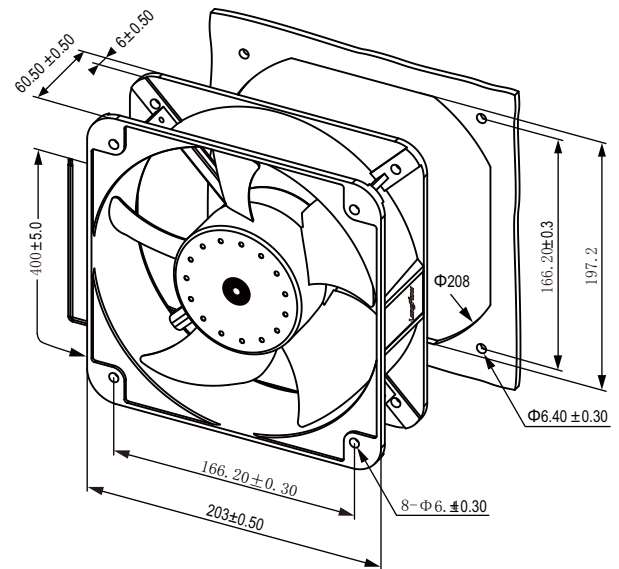


PERFORMANCE CURVES



OUTLINE DRAWING

unit: mm



MODEL SPECIFICATIONS

Model	Rated Voltage	Operating Voltage	Input Current	Input Power	Speed	Max. Air Flow		Max. Air Pressure			Noise Level	Weight
	(V)	(V)	(A)	(W)	RPM	CFM	M³/MIN	mm H ₂ O	in H ₂ O	Pa	dBA	(G)
LFD2060AB12H	12	7.0-13.8	3.50	42.00	3000	640.00	18.11	24.62	0.97	242	68.0	1031.0
LFD2060AB12M	12	7.0-13.8	2.80	33.60	2500	532.00	15.06	18.78	0.74	184	58.0	1031.0
LFD2060AB12L	12	7.0-13.8	2.00	24.00	2000	490.00	13.87	15.48	0.61	152	50.0	1031.0
LFD2060AB24H	24	14.0-27.6	2.50	60.00	3000	640.00	18.11	24.62	0.97	242	68.0	1031.0
LFD2060AB24M	24	14.0-27.6	1.50	36.00	2500	532.00	15.06	18.78	0.74	184	58.0	1031.0
LFD2060AB24L	24	14.0-27.6	1.00	24.00	2000	490.00	13.87	15.48	0.61	152	50.0	1031.0
LFD2060AB48H	48	28.0-56.0	1.20	57.60	3000	640.00	18.11	24.62	0.97	242	68.0	1031.0
LFD2060AB48M	48	28.0-56.0	0.80	38.40	2500	532.00	15.06	18.78	0.74	184	58.0	1031.0
LFD2060AB48L	48	28.0-56.0	0.50	24.00	2000	490.00	13.87	15.48	0.61	152	50.0	1031.0

Φ220x60mm
Φ8.66"x2.36"

GENERAL SPECIFICATIONS

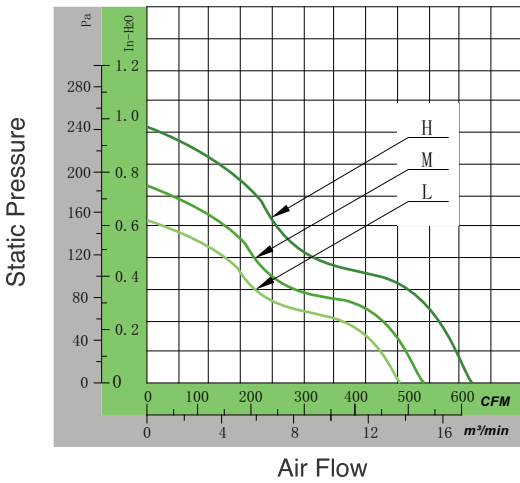
Motor Structure: Brushless DC Motor
 Motor Protection:
 Auto-Restart | Polarity Protection|Soft Start
 Allowable Ambient Temperature Range:
 -10°C ~ +70°C (Operating)
 -40°C ~ +70°C (Storage)
 (non-condensing environment)
 Safety Standard: UL | TUV | ROHS | CE (Optional)
 Customized Fan Features: FG | RD | IP56|PWM (Optional)

MATERIAL

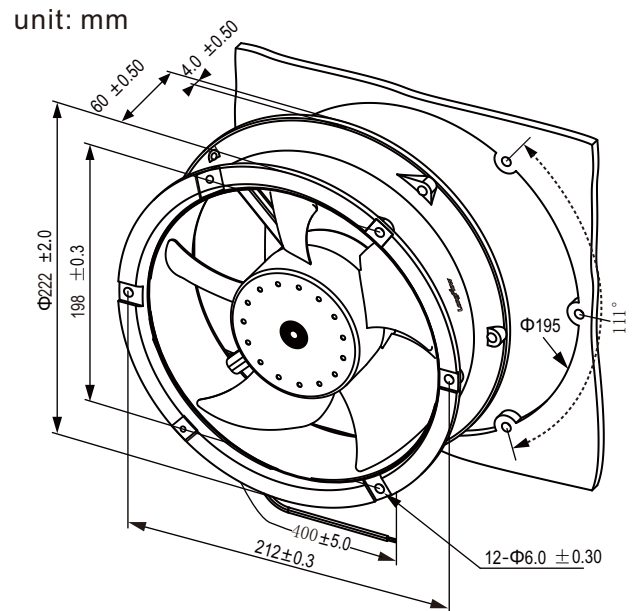
Frame : Aluminum Alloy
 Impeller : Plastic (UL94V-0)
 Bearing&Expected Life:
 Ball Bearing 70,000hrs (40°C)
 Lead Wire : UL1007AWG#22 or Equivalent (+) Red, (-) Black



PERFORMANCE CURVES



OUTLINE DRAWING



MODEL SPECIFICATIONS

Model	Rated Voltage	Operating Voltage	Input Current	Input Power	Speed	Max. Air Flow		Max. Air Pressure			Noise Level	Weight
	(V)	(V)	(A)	(W)	RPM	CFM	M³/MIN	mm H ₂ O	in H ₂ O	Pa	dBA	(G)
LFD2260AB12H	12	7.0-13.8	3.50	42.00	3000	640.00	18.11	24.62	0.97	242	68.0	1031.0
LFD2260AB12M	12	7.0-13.8	2.80	33.60	2500	532.00	15.06	18.78	0.74	184	58.0	1031.0
LFD2260AB12L	12	7.0-13.8	2.00	24.00	2000	490.00	13.87	15.48	0.61	152	50.0	1031.0
LFD2260AB24H	24	14.0-27.6	2.50	60.00	3000	640.00	18.11	24.62	0.97	242	68.0	1031.0
LFD2260AB24M	24	14.0-27.6	1.50	36.00	2500	532.00	15.06	18.78	0.74	184	58.0	1031.0
LFD2260AB24L	24	14.0-27.6	1.00	24.00	2000	490.00	13.87	15.48	0.61	152	50.0	1031.0
LFD2260AB48H	48	28.0-56.0	1.20	57.60	3000	640.00	18.11	24.62	0.97	242	68.0	1031.0
LFD2260AB48M	48	28.0-56.0	0.80	38.40	2500	532.00	15.06	18.78	0.74	184	58.0	1031.0
LFD2260AB48L	48	28.0-56.0	0.50	24.00	2000	490.00	13.87	15.48	0.61	152	50.0	1031.0

Φ254x89mm
Φ10" x 3.5"

GENERAL SPECIFICATIONS

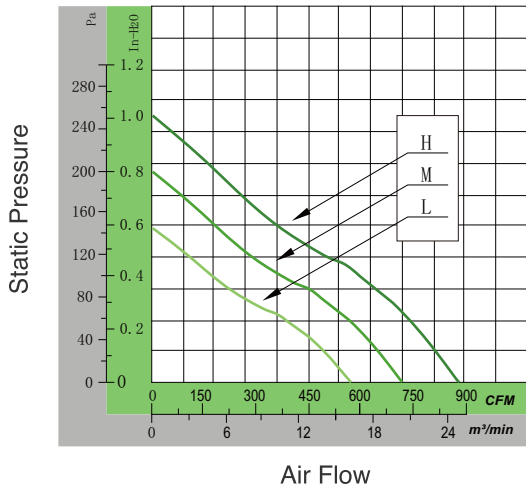
Motor Structure: 9-Poles Brushless DC Motor
 Motor Protection: Auto-Restart | Polarity Protection | Soft-Start
 Allowable Ambient Temperature Range:
 -10°C ~ +70°C (Operating)
 -40°C ~ +70°C (Storage)
 (non-condensing environment)
 Safety Standard: ROHS | CE
 Customized Fan Features:
 FG | RD | IP56 | PWM | Thermal Control (Optional)



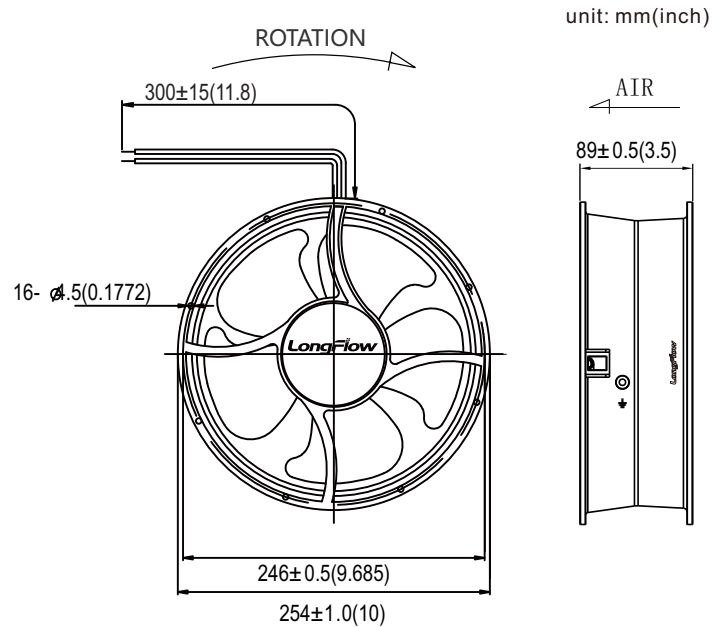
MATERIAL

Frame : Aluminum Alloy
 Impeller : Plastic (UL94V-0)
 Bearing & Expected Life:
 Ball Bearing 70,000hrs (40°C)
 Lead Wire : UL1007AWG#22 or Equivalent (+) Red, (-) Black

PERFORMANCE CURVES



OUTLINE DRAWING



MODEL SPECIFICATIONS

Model	Rated Voltage	Operating Voltage	Input Current	Input Power	Speed	Max. Air Flow		Max. Air Pressure			Noise Level	Weight
	(V)	(V)	(A)	(W)	RPM	CFM	M ³ /MIN	mm H ₂ O	in H ₂ O	Pa	dBA	(G)
LFD2589AB24H	24	14.0-27.6	3.50	84.00	2600	890.00	25.19	25.63	1.01	251	68.0	2140.0
LFD2589AB24M	24	14.0-27.6	2.20	52.80	2100	718.00	20.32	20.81	0.82	204	55.0	2140.0
LFD2589AB24L	24	14.0-27.6	1.50	36.00	1600	547.00	15.48	15.74	0.62	154	42.0	2140.0
LFD2589AB48H	48	28.0-56.0	2.00	96.00	2600	890.00	25.19	25.63	1.01	251	68.0	2140.0
LFD2589AB48M	48	28.0-56.0	1.20	57.60	2100	718.00	20.32	20.81	0.82	204	55.0	2140.0
LFD2589AB48L	48	28.0-56.0	0.80	38.40	1600	547.00	15.48	15.74	0.62	154	42.0	2140.0

140x140X38mm
5.5"X5.5"X1.5"

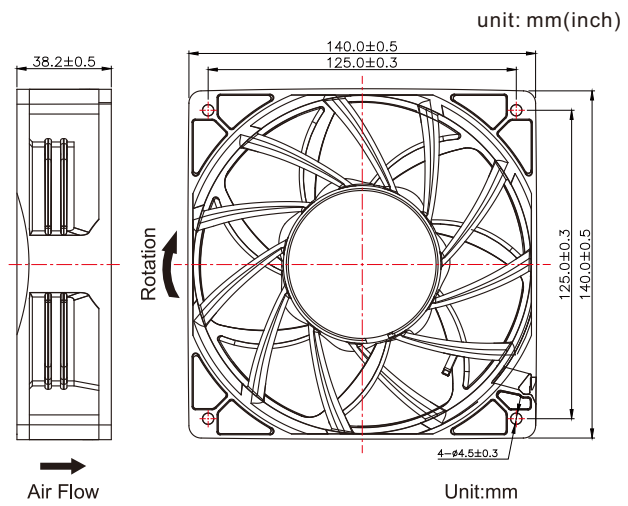


GENERAL SPECIFICATIONS

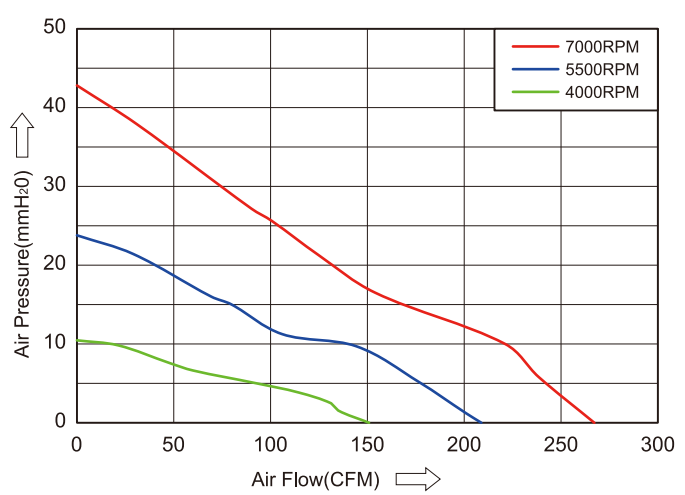
- 绝缘等级 / Insulation: Class B
- 材质 / Material: Impeller & Frame: Plastic (UL94V-0)
- 线材 / Lead Wire: UL Type
- 工作模式 / Mode of operation: S1
- 工作环境 / Operation Temperature: -10°C-70°C, 35%-85%RH
- 储存环境 / Storage Temperature: -40°C-80°C, 35%-85%RH
- 功能选择 / Available Features: IP68 / PWM / FG&RD / Thermal control / Autoresart / Slow start-up

Model 型号	Bearing System 轴承		Rated Voltage 额定电压	Operation Voltage 安规电压	Rated Current 额定电流	Rated Speed 额定转速	Air Flow 风量	Air Pressure 风压	Noise Level 噪音	Weight 重量
	Ball	Sleeve	VDC	VDC	A	RPM	CFM	mmH ₂ O	dBA	g
LFD1438PX12H	●	●	12.0	6.0-13.2	3.80	7000	267.2	42.8	65	430
LFD1438PX12M	●	●			2.10	5500	208.8	23.8	57	
LFD1438PX12L	●	●			1.30	4000	150.9	10.5	48	
LFD1438PX24H	●	●	24.0	12.0-26.4	2.0	7000	267.2	42.8	65	430
LFD1438PX24M	●	●			1.20	5500	208.8	23.8	57	
LFD1438PX24L	●	●			0.7	4000	150.9	10.5	48	
LFD1438PX48H	●	●	48.0	24.0-52.8	1.0	7000	267.2	42.8	65	430
LFD1438PX48M	●	●			0.60	5500	208.8	23.8	57	
LFD1438PX48L	●	●			0.40	4000	150.9	10.5	48	

OUTLINE DRAWING



PERFORMANCE CURVES



*Important Note: All specifications and descriptions are for reference only and may be subject to change without prior notice. Please contact us for any update or further information at fan@longflow.net
Copyright © 2009-2026 LONGFLOW All Rights Reserved.



205x205X72mm
8.2"X8.2"X2.8"



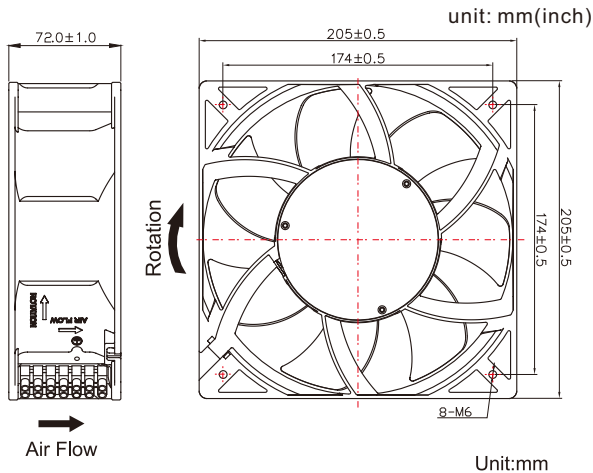
GENERAL SPECIFICATIONS

绝缘等级 / Insulation: Class B
 材质 / Material: Impeller: Plastic; Frame: Aluminum Alloy
 线材 / Lead Wire: UL Type
 工作模式 / Mode of operation: S1
 工作环境 / Operation Temperature: -10°C-70°C, 35%-85%RH
 储存环境 / Storage Temperature: -40°C-80°C, 35%-85%RH
 功能选择 / Available Features: IP68 / PWM / FG&RD / Thermal control / Autoresart / Slow start-up

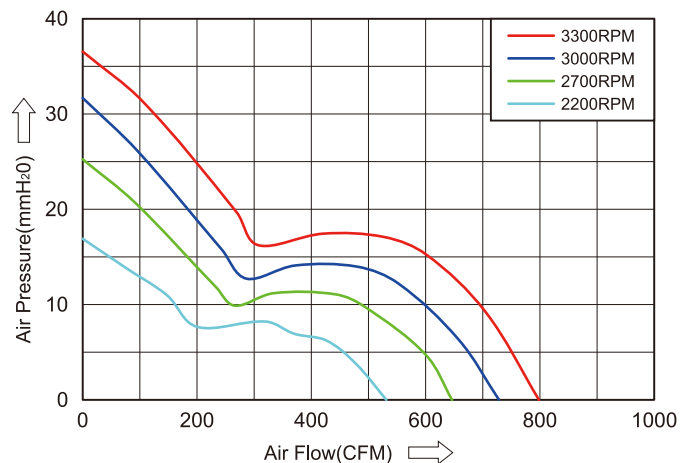


Model 型号	Bearing System 轴承		Rated Voltage 额定电压	Operation Voltage 安规电压	Rated Current 额定电流	Rated Speed 额定转速	Air Flow 风量	Air Pressure 风压	Noise Level 噪音	Weight 重量
	Ball	Sleeve	VDC	VDC	A	RPM	CFM	mmH ₂ O	dBA	g
LFD2072AX12H	●		12.0	6.0-13.2	8.0	3000	728.4	31.7	59	1800
LFD2072AX24H	●		24.0	12.0-26.4	5.0	3300	798.3	36.6	62	1800
LFD2072AX24M	●				4.0	2700	646.3	25.2	57	
LFD2072AX24L	●				3.0	2200	531.3	16.9	51	
LFD2072AX48H	●		48.0	24.0-52.8	2.0	3300	798.3	36.6	62	1800
LFD2072AX48M	●				1.50	2700	646.3	25.2	57	
LFD2072AX48L	●				1.20	2200	531.3	16.9	51	

OUTLINE DRAWING



PERFORMANCE CURVES





280x280X80mm
11"X11"X3.14"



BRUSHLESS DC FANS

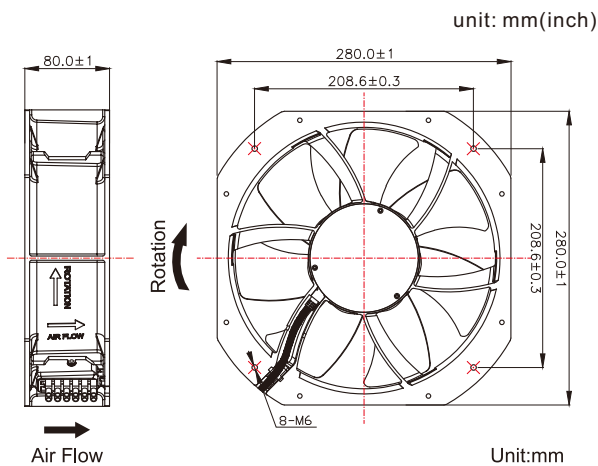


GENERAL SPECIFICATIONS

- 绝缘等级 / Insuation: Class B
- 材质 / Material: Impeller: Plastic; Frame:Aluminum Alloy
- 线材 / Lead Wire: UL Type
- 工作模式 / Mode of operation: S1
- 工作环境 / Operation Temperature: -10°C-70°C, 35%-85%RH
- 储存环境 / Storage Temperature: -40°C-80°C, 35%-85%RH
- 功能选择 / Available Features: IP68 / PWM / FG&RD / Thermal control / Autoresart / Slow starup

Model 型号	Bearing System 轴承		Rated Voltage 额定电压	Operation Voltage 安规电压	Rated Current 额定电流	Rated Speed 额定转速	Air Flow 风量	Air Pressure 风压	Noise Level 噪音	Weight 重量
	Ball	Sleeve	VDC	VDC	A	RPM	CFM	mmH ₂ O	dBA	g
LFD2880AX12H	●		12.0	6.0-13.2	8.0	2500	994.6	31.6	58	2400
LFD2880AX24H	●		24.0	12.0-26.4	5.0	2800	1110.4	31.6	61	2400
LFD2880AX24M	●				4.0	2400	955.5	31.6	57	
LFD2880AX24L	●				3.0	2000	790.1	21.7	54	
LFD2880AX48H	●		48.0	24.0-52.8	3.50	3000	1209.1	31.6	62	2400
LFD2880AX48M	●				2.50	2500	994.6	31.6	58	
LFD2880AX48L	●				1.20	2000	790.1	21.7	54	

OUTLINE DRAWING



PERFORMANCE CURVES

